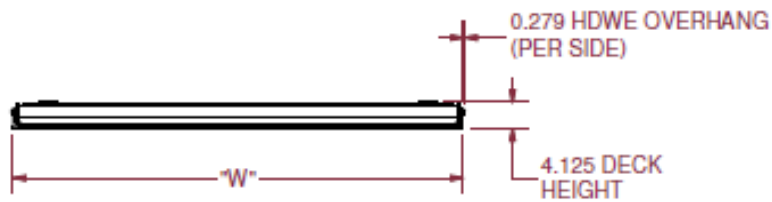
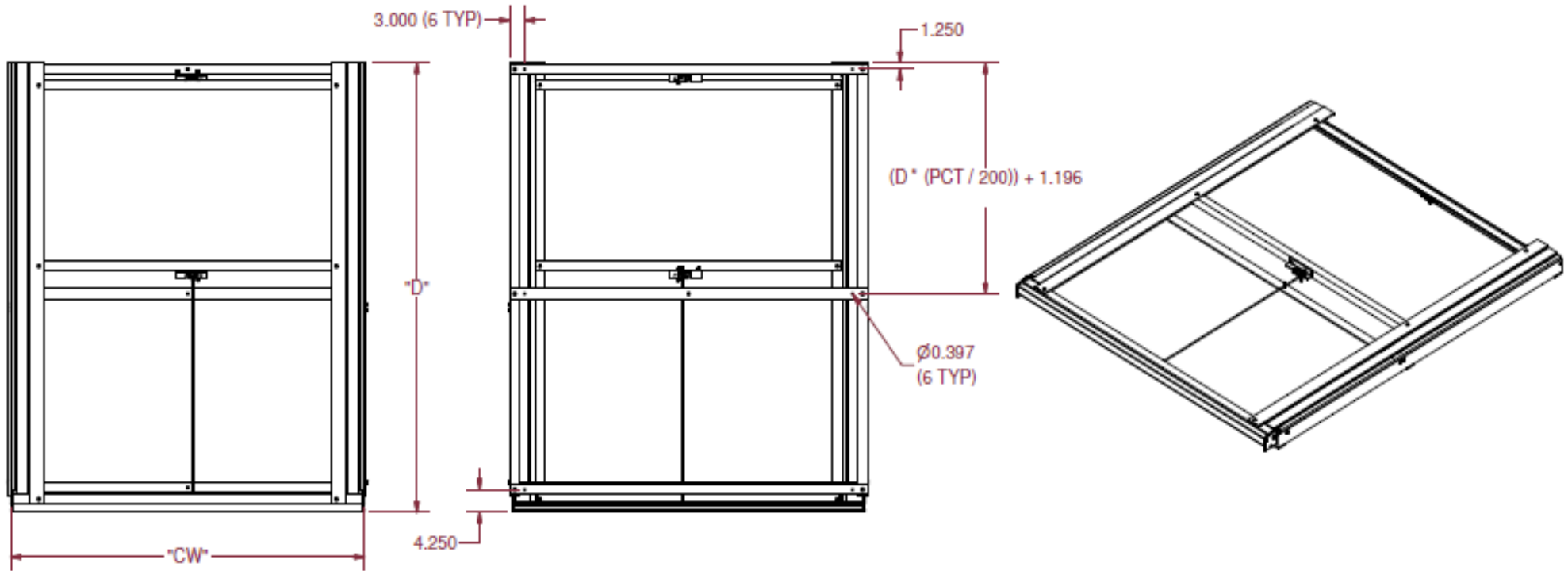


Extreme Cargo Tray – Model S2UI

120% Straight – Upper Slides – Internal Mount



OVERALL DIMENSION TOLERANCES $\pm 1/8"$

"D" = OVERALL DEPTH (CUSTOMER SPECIFIED)
 "W" = OVERALL WIDTH (CUSTOMER SPECIFIED)
 "CW" = SLIDE CLEARANCE WIDTH = "W" - 0.836
 "PCT" = PERCENTAGE PULLOUT OF ASSEMBLY