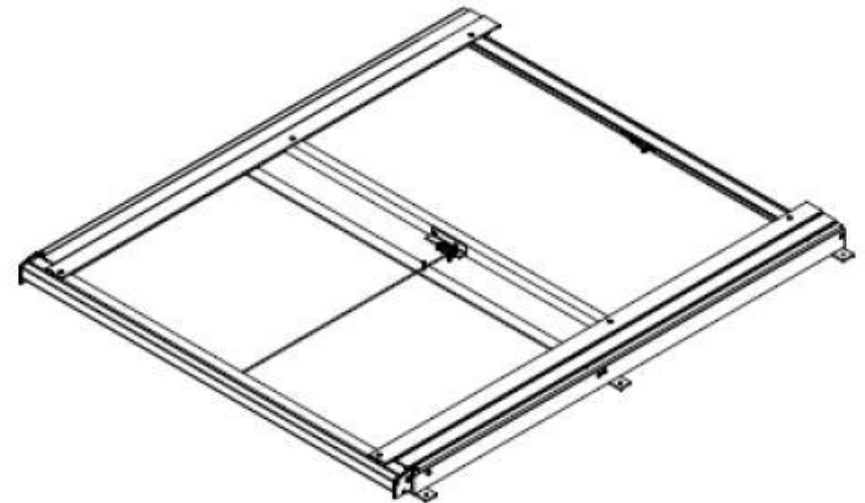
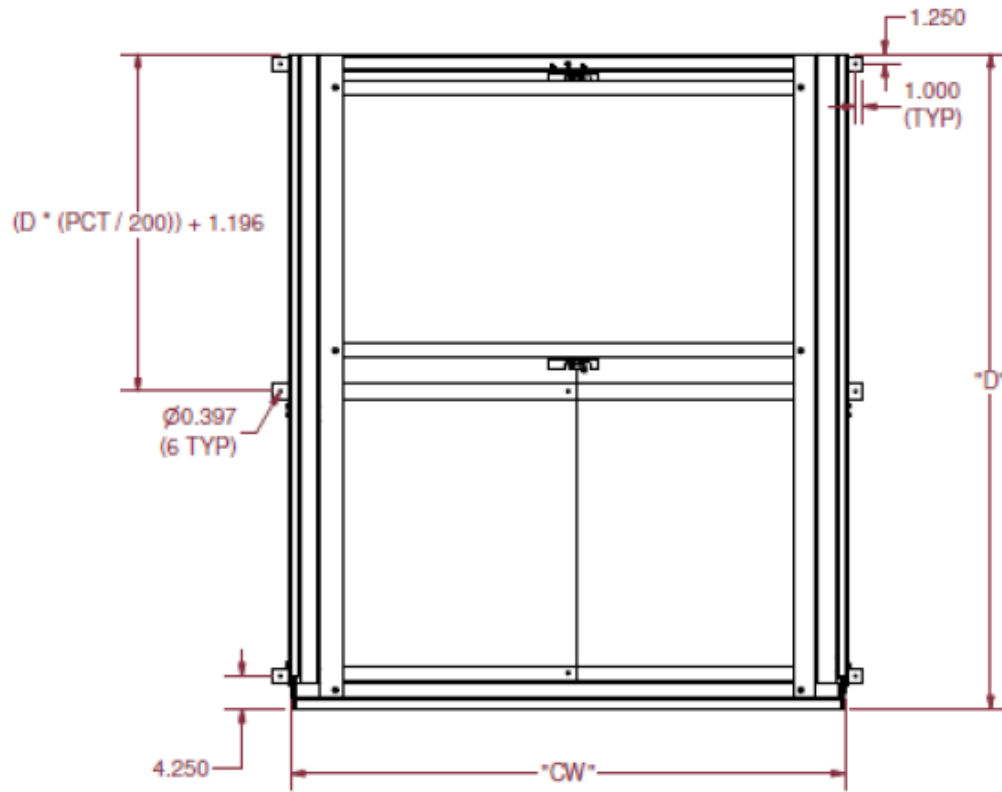


# Extreme Cargo Tray – Model S2UE

## 120% Straight – Upper Slides – External Mount



OVERALL DIMENSION TOLERANCES  $\pm 1/8"$

$"D"$  = OVERALL DEPTH (CUSTOMER SPECIFIED)  
 $"W"$  = OVERALL WIDTH (CUSTOMER SPECIFIED)  
 $"CW"$  = SLIDE CLEARANCE WIDTH =  $"W" - 4.836$   
 $"PCT"$  = PERCENTAGE PULLOUT OF ASSEMBLY