



R·O·M
ROLL-UP SHUTTER DOOR

PARTS
MANUAL

FM-8.5-118
Rev AG
03-31-2026

R·O·M, a Clarience Technologies Company
6800 East 163rd Street
Belton, Missouri 64012

www.romcorp.com
rom.orders@safefleet.net

Toll: 800-827-3692
816-318-8000 ext. 5000



TABLE OF CONTENTS

R•O•M ROLL-UP SHUTTER DOOR *Parts Manual*

NEW SERIES IV – ROLL-UP SHUTTER DOOR

| | |
|--|-------|
| SERIES IV - ROLL-UP SHUTTER DOOR – CONFIGURABLE (R04030) | 3 |
| SERIES IV - BOTTOM RAIL ASSEMBLY CONFIGURABLE (R04024) pg. 1-2 | 4-5 |
| SERIES IV - BOTTOM RAIL ASSEMBLY – LAYOUTS (R04024) pg. 3 | 6 |
| SERIES IV - TRACK (14101 / R03730 / R03975 / R03976 / R03977) | 7 |
| SERIES IV - ELASTIC PULL STRAP KIT (R04377 / R04378 / R04379) | 8 |
| SERIES IV – INTERIOR RELEASE PUSHBAR (R04634)..... | 9 |
| SERIES IV - STRIKER KIT (R04079) | 10 |
| SERIES IV - DAS KIT (DOOR AJAR) 3 WIRE (R04074) | 11 |
| SERIES IV - M4000 POWER SHUTTER - DRIVE ASSEMBLY (R04317) | 12-13 |
| SERIES IV - MHS (MINIMUM HEADER SHUTTER) (R04078) | 14 |
| SLAT ASSEMBLY (R00072) | 15 |
| DRIP RAIL ASSEMBLY CONFIGURABLE (R00038) | 16 |
| SILL PLATE CONFIGURABLE (R00029) | 17 |
| DRIP PAN CONFIGURATION ASSEMBLY (R00992) | 18 |
| PENNANT PLATES - FRONT ROLL WITH DRIP PAN (R01040 to R01047) | 19 |
| KEYLOCK LOCKROD AND BELLCRANK KIT (R04419) | 20 |

AUTOLATCH– ROLL-UP SHUTTER DOOR

| | |
|----------------------------------|----|
| AUTOLATCH SHUTTER (R00151) | 21 |
|----------------------------------|----|

ROLL-UP SHUTTER DOOR - KIT PARTS

| | |
|--|----|
| ROLL-UP SHUTTER DOOR - KIT PARTS | 22 |
|--|----|

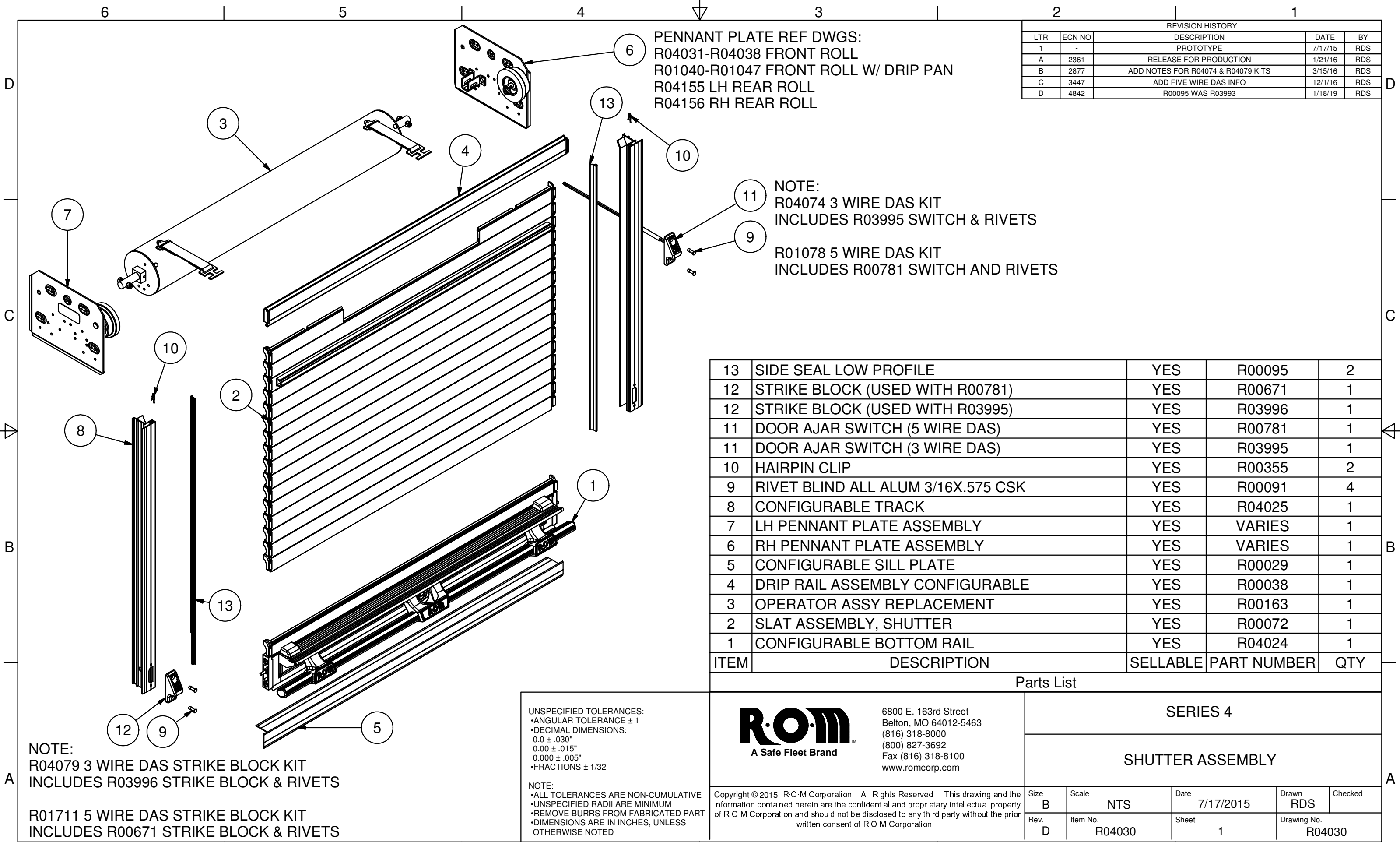
NOTE: SERIES III - REPLACEMENT ORDERS WILL BE FULFILLED WITH SERIES IV PARTS

Copyright © 2026 R•O•M.
All Rights Reserved.

The drawings and the information contained herein are the confidential and proprietary intellectual property of R•O•M, and should not be disclosed to any third party without the express prior written consent of R•O•M.

SERIES IV - ROLL-UP SHUTTER DOOR - CONFIGURABLE (R04030)

| REVISION HISTORY | | | | |
|------------------|--------|------------------------------------|---------|-----|
| LTR | ECN NO | DESCRIPTION | DATE | BY |
| 1 | - | PROTOTYPE | 7/17/15 | RDS |
| A | 2361 | RELEASE FOR PRODUCTION | 1/21/16 | RDS |
| B | 2877 | ADD NOTES FOR R04074 & R04079 KITS | 3/15/16 | RDS |
| C | 3447 | ADD FIVE WIRE DAS INFO | 12/1/16 | RDS |
| D | 4842 | R00095 WAS R03993 | 1/18/19 | RDS |



PENNANT PLATE REF DWGS:
 R04031-R04038 FRONT ROLL
 R01040-R01047 FRONT ROLL W/ DRIP PAN
 R04155 LH REAR ROLL
 R04156 RH REAR ROLL

NOTE:
 R04074 3 WIRE DAS KIT
 INCLUDES R03995 SWITCH & RIVETS
 R01078 5 WIRE DAS KIT
 INCLUDES R00781 SWITCH AND RIVETS

| ITEM | DESCRIPTION | SELLABLE | PART NUMBER | QTY |
|------|------------------------------------|----------|-------------|-----|
| 13 | SIDE SEAL LOW PROFILE | YES | R00095 | 2 |
| 12 | STRIKE BLOCK (USED WITH R00781) | YES | R00671 | 1 |
| 12 | STRIKE BLOCK (USED WITH R03995) | YES | R03996 | 1 |
| 11 | DOOR AJAR SWITCH (5 WIRE DAS) | YES | R00781 | 1 |
| 11 | DOOR AJAR SWITCH (3 WIRE DAS) | YES | R03995 | 1 |
| 10 | HAIRPIN CLIP | YES | R00355 | 2 |
| 9 | RIVET BLIND ALL ALUM 3/16X.575 CSK | YES | R00091 | 4 |
| 8 | CONFIGURABLE TRACK | YES | R04025 | 1 |
| 7 | LH PENNANT PLATE ASSEMBLY | YES | VARIES | 1 |
| 6 | RH PENNANT PLATE ASSEMBLY | YES | VARIES | 1 |
| 5 | CONFIGURABLE SILL PLATE | YES | R00029 | 1 |
| 4 | DRIP RAIL ASSEMBLY CONFIGURABLE | YES | R00038 | 1 |
| 3 | OPERATOR ASSY REPLACEMENT | YES | R00163 | 1 |
| 2 | SLAT ASSEMBLY, SHUTTER | YES | R00072 | 1 |
| 1 | CONFIGURABLE BOTTOM RAIL | YES | R04024 | 1 |

NOTE:
 R04079 3 WIRE DAS STRIKE BLOCK KIT
 INCLUDES R03996 STRIKE BLOCK & RIVETS
 R01711 5 WIRE DAS STRIKE BLOCK KIT
 INCLUDES R00671 STRIKE BLOCK & RIVETS

UNSPECIFIED TOLERANCES:
 •ANGULAR TOLERANCE ± 1
 •DECIMAL DIMENSIONS:
 0.0 ± .030"
 0.00 ± .015"
 0.000 ± .005"
 •FRACTIONS ± 1/32

NOTE:
 •ALL TOLERANCES ARE NON-CUMULATIVE
 •UNSPECIFIED RADII ARE MINIMUM
 •REMOVE BURRS FROM FABRICATED PART
 •DIMENSIONS ARE IN INCHES, UNLESS OTHERWISE NOTED

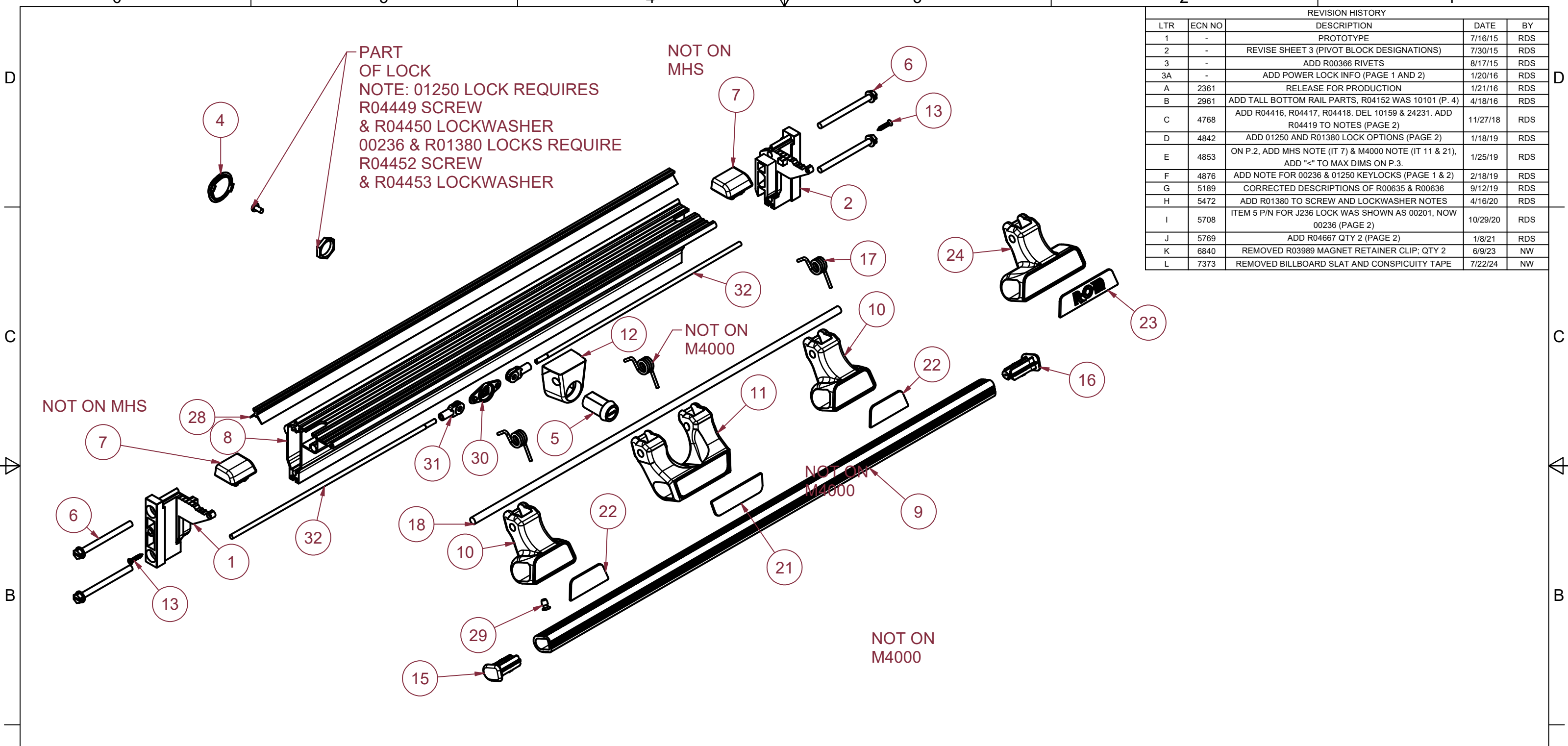
6800 E. 163rd Street
 Belton, MO 64012-5463
 (816) 318-8000
 (800) 827-3692
 Fax (816) 318-8100
 www.romcorp.com

Copyright © 2015 R-O-M Corporation. All Rights Reserved. This drawing and the information contained herein are the confidential and proprietary intellectual property of R-O-M Corporation and should not be disclosed to any third party without the prior written consent of R-O-M Corporation.

| Parts List | | | | |
|------------------|----------|-----------|-------------|---------|
| SERIES 4 | | | | |
| SHUTTER ASSEMBLY | | | | |
| Size | Scale | Date | Drawn | Checked |
| B | NTS | 7/17/2015 | RDS | |
| Rev. | Item No. | Sheet | Drawing No. | |
| D | R04030 | 1 | R04030 | |

SERIES IV - BOTTOM RAIL ASSEMBLY CONFIGURABLE (R04024) - page 1

| REVISION HISTORY | | | | |
|------------------|--------|--|----------|-----|
| LTR | ECN NO | DESCRIPTION | DATE | BY |
| 1 | - | PROTOTYPE | 7/16/15 | RDS |
| 2 | - | REVISE SHEET 3 (PIVOT BLOCK DESIGNATIONS) | 7/30/15 | RDS |
| 3 | - | ADD R00366 RIVETS | 8/17/15 | RDS |
| 3A | - | ADD POWER LOCK INFO (PAGE 1 AND 2) | 1/20/16 | RDS |
| A | 2361 | RELEASE FOR PRODUCTION | 1/21/16 | RDS |
| B | 2961 | ADD TALL BOTTOM RAIL PARTS, R04152 WAS 10101 (P. 4) | 4/18/16 | RDS |
| C | 4768 | ADD R04416, R04417, R04418. DEL 10159 & 24231. ADD R04419 TO NOTES (PAGE 2) | 11/27/18 | RDS |
| D | 4842 | ADD 01250 AND R01380 LOCK OPTIONS (PAGE 2) | 1/18/19 | RDS |
| E | 4853 | ON P.2, ADD MHS NOTE (IT 7) & M4000 NOTE (IT 11 & 21), ADD "<" TO MAX DIMS ON P.3. | 1/25/19 | RDS |
| F | 4876 | ADD NOTE FOR 00236 & 01250 KEYLOCKS (PAGE 1 & 2) | 2/18/19 | RDS |
| G | 5189 | CORRECTED DESCRIPTIONS OF R00635 & R00636 | 9/12/19 | RDS |
| H | 5472 | ADD R01380 TO SCREW AND LOCKWASHER NOTES | 4/16/20 | RDS |
| I | 5708 | ITEM 5 P/N FOR J236 LOCK WAS SHOWN AS 00201, NOW 00236 (PAGE 2) | 10/29/20 | RDS |
| J | 5769 | ADD R04667 QTY 2 (PAGE 2) | 1/8/21 | RDS |
| K | 6840 | REMOVED R03989 MAGNET RETAINER CLIP; QTY 2 | 6/9/23 | NW |
| L | 7373 | REMOVED BILLBOARD SLAT AND CONSPICUITY TAPE | 7/22/24 | NW |



NOTE:
 WITH THE POWER LOCK OPTION,
 ONLY THE LOCK ROD ON THE POWER LOCK SIDE(S) IS USED.
 THE SIDE WITHOUT THE POWER LOCK
 USES THE NON-POWER LOCK END BLOCK AS REQUIRED.

UNSPECIFIED TOLERANCES:
 •ANGULAR TOLERANCE ± 1
 •DECIMAL DIMENSIONS:
 0.0 ± .030"
 0.00 ± .015"
 0.000 ± .005"
 •FRACTIONS ± 1/32


NOTE:
 •ALL TOLERANCES ARE NON-CUMULATIVE
 •UNSPECIFIED RADII ARE MINIMUM
 •REMOVE BURRS FROM FABRICATED PART
 •DIMENSIONS ARE IN INCHES, UNLESS OTHERWISE NOTED

6800 E. 163rd Street
 Belton, MO 64012-5463
 (816) 318-8000
 (800) 827-3692
 Fax (816) 318-8100
 www.romcorp.com

Copyright © 2015 R-O-M Corporation. All Rights Reserved. This drawing and the information contained herein are the confidential and proprietary intellectual property of R-O-M Corporation and should not be disclosed to any third party without the prior written consent of R-O-M Corporation.

| | | | | |
|--------------------------|----------|-----------|-------------|---------|
| SERIES 4 | | | | |
| CONFIGURABLE BOTTOM RAIL | | | | |
| Size | Scale | Date | Drawn | Checked |
| B | NTS | 7/16/2015 | RDS | |
| Rev. | Item No. | Sheet | Drawing No. | |
| L | R04024 | 1 OF 4 | R04024 | |

SERIES IV - BOTTOM RAIL ASSEMBLY CONFIGURABLE (R04024) - page 2

| ITEM | DESCRIPTION | SELLABLE | PART NUMBER | QTY | | | |
|---|-------------------------------------|---|-------------------------------|---|----------------------------------|-------------------------|----------------|
| - | M6-1.0 X 10MM RH PHL MS ZP | YES | R04449 | - | | | |
| - | M6 INTERNAL TOOTH LOCKWASHER SS | YES | R04450 | - | | | |
| - | 1/4-20 X 3/8 RH PHL MS ZP | YES | R04452 | - | | | |
| - | 1/4 INTERNAL TOOTH LOCKWASHER SS | YES | R04453 | - | | | |
| 32 | KEYLOCK LOCKROD | YES | R04418 | OPTIONAL | | | |
| 31 | KEYLOCK YOKE | YES | R04417 | OPTIONAL | | | |
| 30 | KEYLOCK BELLCRANK | YES | R04416 | OPTIONAL | | | |
| - | BOTTOM RAIL EXTENSION | YES | R00089 | VARIES | | | |
| 29 | RIVET AD64ABS 3/16X3/8H .125-.25GRP | YES | R00366 | VARIES | | | |
| 28 | BOTTOM SEAL | YES | 14037 | VARIES | | | |
| 24 | BLOCK PIVOT WIDE | YES | R03985 | VARIES | | | |
| 23 | LABEL WIDE PIVOT BLOCK | YES | R04004 | VARIES | | | |
| 22 | LABEL NARROW PIVOT BLOCK | YES | R04005 | VARIES | | | |
| 21 | LABEL KEY SURROUND (NOT ON M4000) | YES | R04006 | VARIES | | | |
| 18 | PIVOT ROD | YES | R00055 | VARIES | | | |
| 17 | SPRING PIVOT .1055 WIRE III | YES | 14029 | VARIES | | | |
| 16 | RETAINER MAGNET RH | YES | R03992 | 1 | | | |
| 15 | RETAINER MAGNET LH | YES | R03989 | 1 | | | |
| 13 | SCREW #6 X 3/4 FH SQ DR SMS SS | YES | R04026 | 2 | | | |
| 12 | LOCK BEZEL | YES | R03987 | OPTIONAL | | | |
| 11 | LOCK SURROUND (NOT ON M4000) | YES | R03988 | OPTIONAL | | | |
| 10 | BLOCK PIVOT NARROW | YES | R03986 | OPTIONAL | | | |
| 9 | LIFT BAR | YES | R03980 | VARIES | | | |
| 8 | BOTTOM RAIL TALL | YES | R04081 | CARIES | | | |
| 8 | BOTTOM RAIL | YES | R03981 | VARIES | | | |
| 7 | BUMPER BOTTOM RAIL (NOT ON MHS) | YES | R03982 | 2 | | | |
| 6 | 14X2 A SLFTAP HWH SCR SS | YES | R00195 | 4 | | | |
| 5 | LOCK 751 CAM TYPE SLOT W/DUST CVR | YES | R01380 | OPTIONAL | | | |
| 5 | LOCK 1250 CAM TYPE SLOT W/DUST CVR | YES | 01250 | OPTIONAL | | | |
| 5 | LOCK J236 CAM TYPE SLOT W/DUST CVR | YES | 00236 | OPTIONAL | | | |
| 4 | OBLONG LOCK CAP | YES | R03889 | OPTIONAL | | | |
| 2 | BLOCK BOTTOM TALL PWERE LOCK RH | YES | R04084 | 1 | | | |
| 2 | BLOCK BOTTOM TALL RH | YES | R04082 | 1 | | | |
| 2 | BLOCK BOTTOM POWER LOCK RH | YES | R04062 | 1 | | | |
| 2 | BLOCK BOTTOM RH | YES | R03984 | 1 | | | |
| 1 | BLOCK BOTTOM TALL POWER LOCK LH | YES | R04085 | 1 | | | |
| 1 | BLOCK BOTTOM TALL LH | YES | R04083 | 1 | | | |
| 1 | BLOCK BOTTOM POWER LOCK LH | YES | R04061 | 1 | | | |
| 1 | BLOCK BOTTOM LH | YES | R03983 | 1 | | | |
| ITEM | DESCRIPTION | SELLABLE | PART NUMBER | QTY | | | |
| Parts List | | | | | | | |
| <p>UNSPECIFIED TOLERANCES: *ANGULAR TOLERANCE ± 1 *DECIMAL DIMENSIONS: 0.0 ± .030" 0.00 ± .015" 0.000 ± .005" *FRACTIONS ± 1/32</p> <p>NOTE: *ALL TOLERANCES ARE NON-CUMULATIVE *UNSPECIFIED RADII ARE MINIMUM *REMOVE BURRS FROM FABRICATED PART *DIMENSIONS ARE IN INCHES, UNLESS OTHERWISE NOTED</p> | |  <p>6800 E. 163rd Street Belton, MO 64012-5463 (816) 318-8000 (800) 827-3692 Fax (816) 318-8100 www.romcorp.com</p> | | <p>SERIES 4</p> <p>CONFIGURABLE BOTTOM RAIL</p> | | | |
| <p>REFERENCE DRAWINGS: R03981MACH- BOTTOM RAIL MACHINING DETAILS R04419- KEYLOCK LOCKROD AND BELLCRANK KIT</p> | | <p>Copyright © 2015 R-O-M Corporation. All Rights Reserved. This drawing and the information contained herein are the confidential and proprietary intellectual property of R-O-M Corporation and should not be disclosed to any third party without the prior written consent of R-O-M Corporation.</p> | <p>Size B</p> | <p>Scale NTS</p> | <p>Date 7/16/2015</p> | <p>Drawn RDS</p> | <p>Checked</p> |
| | | <p>Rev. L</p> | <p>Item No. R04024</p> | <p>Sheet 2 OF 4</p> | <p>Drawing No. R04024</p> | | |

NOTE:
 01250 KEYLOCK REQUIRES
 R04449 SCREW
 & R04450 LOCKWASHER

00236 & R01380 KEYLOCKS REQUIRE
 R04452 SCREW
 & R04453 LOCKWASHER

6 | 5 | 4 | 3 | 2 | 1

D

D

C

C

B

B

A

A

R03986
NARROW PIVOT BLOCKS



15" TO <23" OPENING W/LOCK



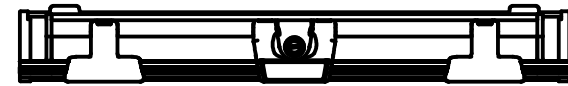
15" TO <23" OPENING W/O LOCK



23" TO <26" OPENING W/LOCK



23" TO <26" OPENING W/O LOCK

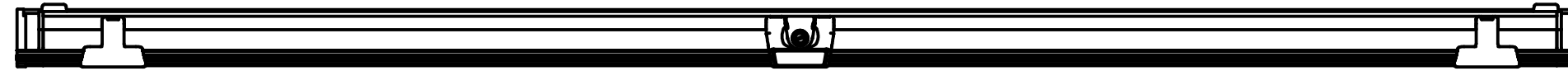


26" TO <48" OPENING W/LOCK



26" TO <48" OPENING W/O LOCK

R03985
WIDE PIVOT BLOCKS



48" TO <90" OPENING
W/LOCK



48" TO <90" OPENING
W/O LOCK

BOTTOM RAIL LAYOUTS

UNSPECIFIED TOLERANCES:
 •ANGULAR TOLERANCE ± 1
 •DECIMAL DIMENSIONS:
 0.0 ± .030"
 0.00 ± .015"
 0.000 ± .005"
 •FRACTIONS ± 1/32

NOTE:
 •ALL TOLERANCES ARE NON-CUMULATIVE
 •UNSPECIFIED RADII ARE MINIMUM
 •REMOVE BURRS FROM FABRICATED PART
 •DIMENSIONS ARE IN INCHES, UNLESS OTHERWISE NOTED



6800 E. 163rd Street
 Belton, MO 64012-5463
 (816) 318-8000
 (800) 827-3692
 Fax (816) 318-8100
 www.romcorp.com

Copyright © 2015 R-O-M Corporation. All Rights Reserved. This drawing and the information contained herein are the confidential and proprietary intellectual property of R-O-M Corporation and should not be disclosed to any third party without the prior written consent of R-O-M Corporation.

SERIES 4

CONFIGURABLE BOTTOM RAIL

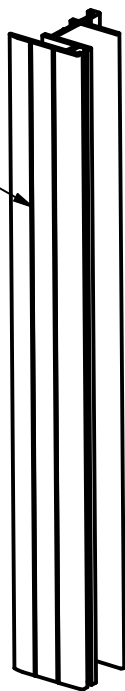
| | | | | |
|-----------|--------------------|-------------------|-----------------------|---------|
| Size B | Scale NTS | Date 7/16/2015 | Drawn RDS | Checked |
| Rev. L | Item No. R04024 | Sheet 3 OF 4 | Drawing No. R04024 | |

6 | 5 | 4 | 3 | 2 | 1

SERIES IV - TRACK (14101 / R03730 / R03975 / R03976 / R03977)

| REVISION HISTORY | | | | |
|------------------|--------|---|------------|-----|
| LTR | ECN NO | DESCRIPTION | DATE | BY |
| A | - | DRAWN | 10/7/16 | RDS |
| B | - | ADD TRACK DEPTH AND WIDTH | 10/17/2022 | RDS |
| C | 6666 | CHANGED R0993 SIDE SEAL TO R00095 SIDE SEAL | 1/10/2023 | NW |

NOTE:
EXPOSED FLANGES
ON SERIES IV TRACKS
HAVE TWO "V'S"

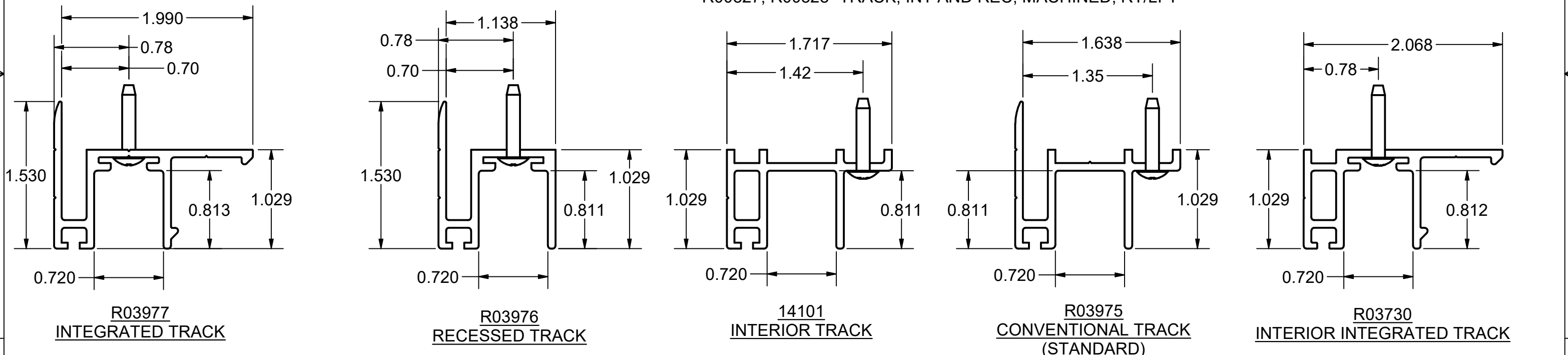


INFORMATION REQUIRED AT TIME OF ORDER:

1. LOCATION FOR PIECE OF TRACK REQUIRED (DETERMINED BY FACING THE COMPARTMENT)
2. TRACK PROFILE
3. FINISH: SATIN OR PAINTED WITH PAINT INFORMATION
4. POWER: POWER LOCK ONLY OR Q2000 AND SIDE LOCATION FOR LOCK
5. DOOR AJAR SWITCH: SWITCH OR STRIKER BLOCK
6. PREPUNCHED MOUNTING SLOT
7. SILL PLATE IF REQUIRED
8. MANUAL LOCK ID REQUIRED

REFERENCE DRAWINGS:

R00036, R00035- TRACK STAND AND INTERIOR, RT/LFT MACHINED
R00827, R00828- TRACK, INT AND REC, MACHINED, RT/LFT



UNSPECIFIED TOLERANCES:
•ANGULAR TOLERANCE ± 1
•DECIMAL DIMENSIONS:
0.0 ± .030"
0.00 ± .015"
0.000 ± .005"
•FRACTIONS ± 1/32

NOTE:
•ALL TOLERANCES ARE NON-CUMULATIVE
•UNSPECIFIED RADII ARE MINIMUM
•REMOVE BURRS FROM FABRICATED PART
•DIMENSIONS ARE IN INCHES, UNLESS OTHERWISE NOTED



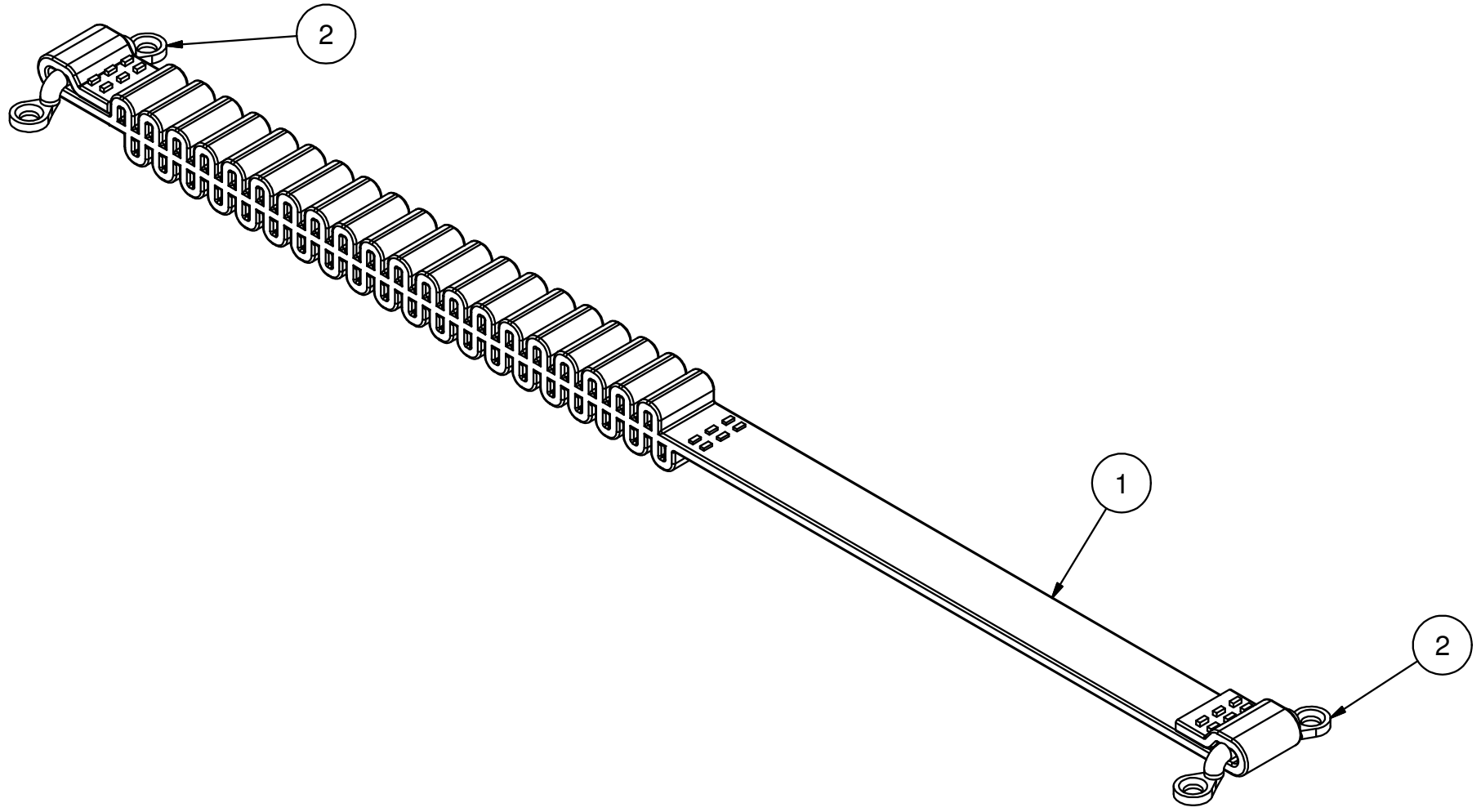
6800 E. 163rd Street
Belton, MO 64012-5463
(816) 318-8000
(800) 827-3692
Fax (816) 318-8100
www.romcorp.com

Copyright © 2015 R-O-M Corporation. All Rights Reserved. This drawing and the information contained herein are the confidential and proprietary intellectual property of R-O-M Corporation and should not be disclosed to any third party without the prior written consent of R-O-M Corporation.

| | | | | |
|-------------------------|---------------|-----------|---------------|---------|
| SERIES 4 | | | | |
| TRACK DIMENSIONS | | | | |
| Size | Scale | Date | Drawn | Checked |
| B | NTS | 7/16/2015 | RDS | |
| Rev. | Item No. | Sheet | Drawing No. | |
| C | S4 TRACK DIMS | 1 | S4 TRACK DIMS | |

ELASTIC PULL STRAP KITS (R04377 / R04378 / R04379)

| REVISION HISTORY | | | | |
|------------------|--------|---|---------|-----|
| LTR | ECN NO | DESCRIPTION | DATE | BY |
| A | 3964 | RELEASE | 8/15/17 | RDS |
| B | - | DESCRIPTION WAS "LIFT STRAP". ADD FM-8.5-385 NUMBER | 11/1/17 | RDS |




| STRAP LENGTH TABLE | | |
|--------------------|----------------|---------------|
| KIT PART NO | NOMINAL LENGTH | STRAP PART NO |
| R04377 | 20" | R04380 |
| R04378 | 30" | R04381 |
| R04379 | 40" | R04382 |

NOTES:
 1. PLACE THE STRAP AND FOOTMAN LOOPS IN A CLEAR PLASTIC BAG.
 2. INCLUDE FM-8.5-385 INSTALLATION INSTRUCTIONS IN THE BAG.

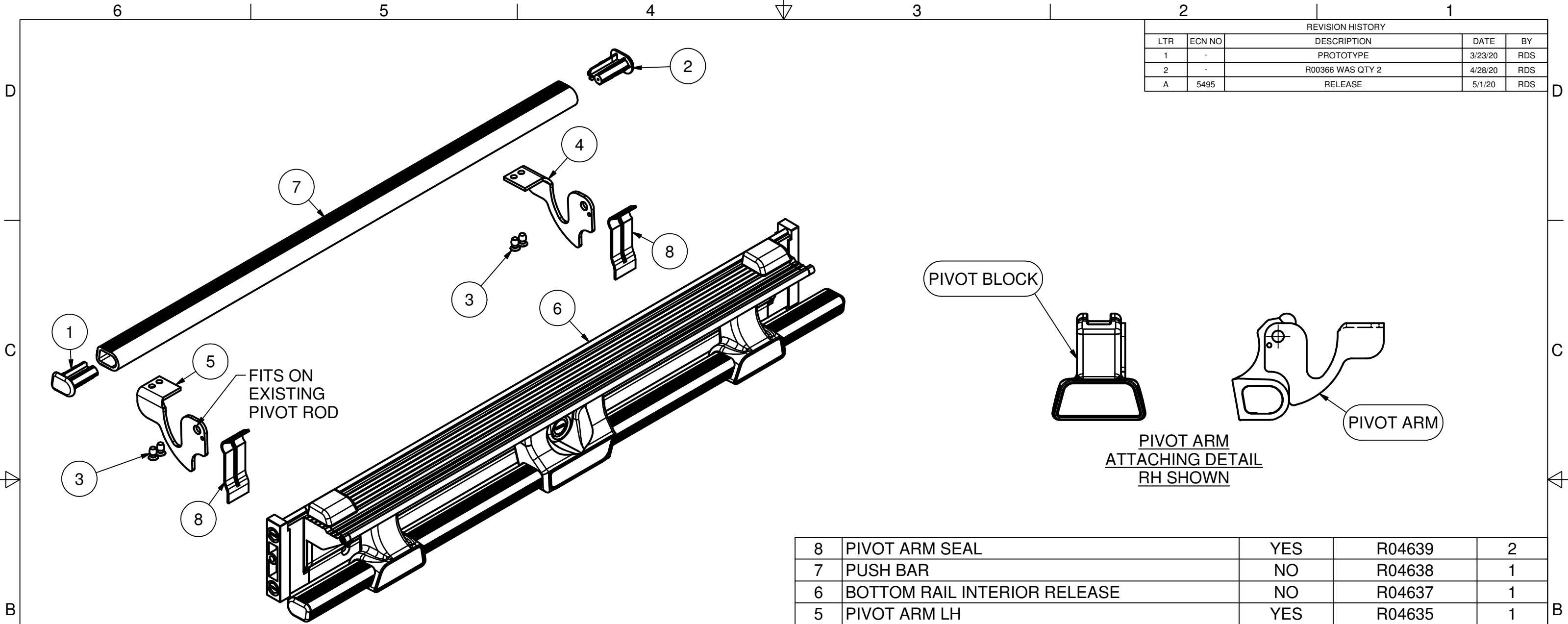
| 2 | FOOTMAN LOOP ZP STEEL | NO | R04383 | 2 |
|------|-----------------------------|----------|-------------|-----|
| 1 | ELASTIC PULL STRAP ASSEMBLY | NO | SEE CHART | 1 |
| ITEM | DESCRIPTION | SELLABLE | PART NUMBER | QTY |

Parts List

| | | | | |
|--|------------------------|------------------------|-------------------|---------------------------|
|  Excellence made to order. | SHUTTER | | | |
| | ELASTIC PULL STRAP KIT | | | |
| Copyright © 2017 R·O·M Corporation. All Rights Reserved. This drawing and the information contained herein are the confidential and proprietary intellectual property of R·O·M Corporation and should not be disclosed to any third party without the prior written consent of R·O·M Corporation. Dimensions are in inches unless otherwise noted. | Size B | Scale .5 | Date 8/15/2017 | Drawn RDS |
| | Rev. B | Item No. R04377 TAB | Sheet 1 | Drawing No. R04377 TAB |

SERIES IV - INTERIOR RELEASE PUSHBAR (R04634)

| REVISION HISTORY | | | | |
|------------------|--------|------------------|---------|-----|
| LTR | ECN NO | DESCRIPTION | DATE | BY |
| 1 | - | PROTOTYPE | 3/23/20 | RDS |
| 2 | - | R00366 WAS QTY 2 | 4/28/20 | RDS |
| A | 5495 | RELEASE | 5/1/20 | RDS |



| 8 | PIVOT ARM SEAL | YES | R04639 | 2 |
|------|-------------------------------------|----------|-------------|-----|
| 7 | PUSH BAR | NO | R04638 | 1 |
| 6 | BOTTOM RAIL INTERIOR RELEASE | NO | R04637 | 1 |
| 5 | PIVOT ARM LH | YES | R04635 | 1 |
| 4 | PIVOT ARM RH | YES | R04636 | 1 |
| 3 | RIVET AD64ABS 3/16X3/8H .125-.25GRP | YES | R00366 | 4 |
| 2 | RETAINER MAGNET RH | YES | R03992 | 2 |
| 1 | RETAINER MAGNET LH | YES | R03989 | 2 |
| ITEM | DESCRIPTION | SELLABLE | PART NUMBER | QTY |

REF DWGS:
 R04638- PUSH BAR
 R04637- BOTTOM RAIL MODS- INTERIOR RELEASE

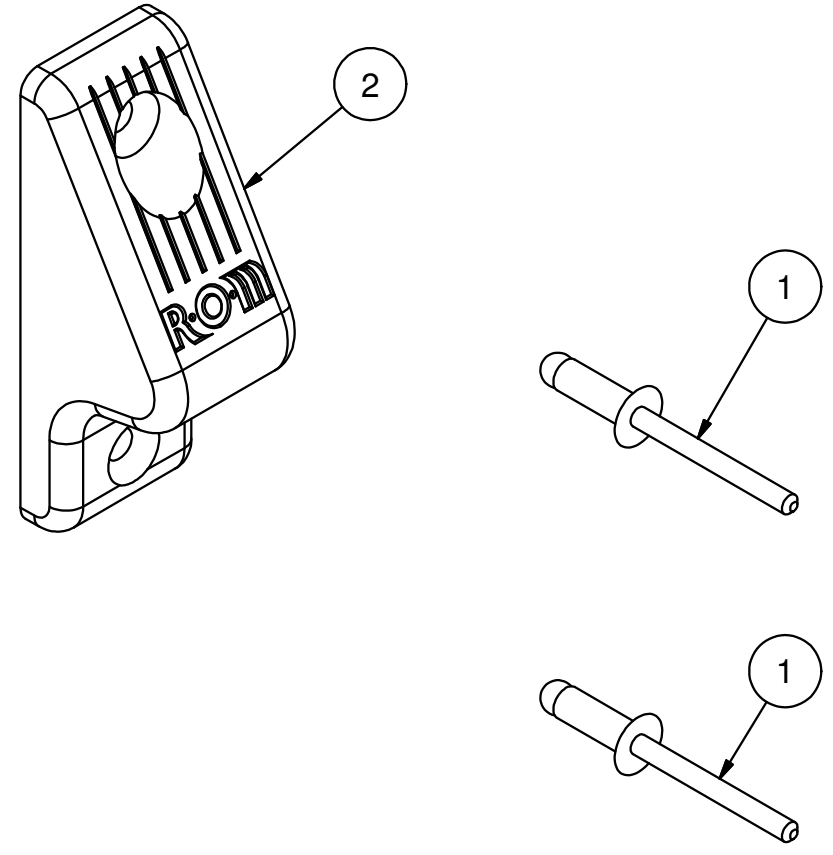
UNSPECIFIED TOLERANCES:
 ANGULAR TOLERANCE ± 1
 DECIMAL DIMENSIONS:
 0.0 ± .030"
 0.00 ± .015"
 0.000 ± .005"
 FRACTIONS ± 1/32

NOTE:
 ALL TOLERANCES ARE NON-CUMULATIVE
 UNSPECIFIED RADII ARE MINIMUM
 REMOVE BURRS FROM FABRICATED PART
 DIMENSIONS ARE IN INCHES, UNLESS
 OTHERWISE NOTED

| | | | | |
|--|---------------------|--------------------------|-----------------------|----------------|
| Parts List | | SHUTTER | | |
| INTERIOR PUSHBAR RELEASE | | | | |
| Size B | Scale NTS | Date 3/23/2020 | Drawn RDS | Checked |
| Rev. A | Item No. R04634 | Sheet 1 | Drawing No. R04634 | |
| Copyright © 2020 R-O-M Corporation. All Rights Reserved. This drawing and the information contained herein are the confidential and proprietary intellectual property of R-O-M Corporation and should not be disclosed to any third party without the prior written consent of R-O-M Corporation. Dimensions are in inches unless otherwise noted. | | | | |

SERIES IV - STRIKER KIT (R04079)

| REVISION HISTORY | | | | |
|------------------|--------|-------------|---------|-----|
| LTR | ECN NO | DESCRIPTION | DATE | BY |
| A | 2877 | RELEASE | 3/15/16 | RDS |



NOTE:
ENCLOSE RIVETS (ITEMS 2) IN BAG WITH STRIKE BLOCK (ITEM 1).

| ITEM | DESCRIPTION | SELLABLE | PART | QTY |
|------|------------------------------------|----------|--------|-----|
| 2 | STRIKE BLOCK 1" WIDE | YES | R03996 | 1 |
| 1 | RIVET BLIND ALL ALUM 3/16X.575 CSK | YES | R00091 | 2 |

UNSPECIFIED TOLERANCES:
 •ANGULAR TOLERANCE ± 1
 •DECIMAL DIMENSIONS:
 0.0 ± .030"
 0.00 ± .015"
 0.000 ± .005"
 •FRACTIONS ± 1/32

NOTE:
 •ALL TOLERANCES ARE NON-CUMULATIVE
 •UNSPECIFIED RADII ARE MINIMUM
 •REMOVE BURRS FROM FABRICATED PART
 •DIMENSIONS ARE IN INCHES, UNLESS OTHERWISE NOTED

R.O.M.
A Safe Fleet Brand

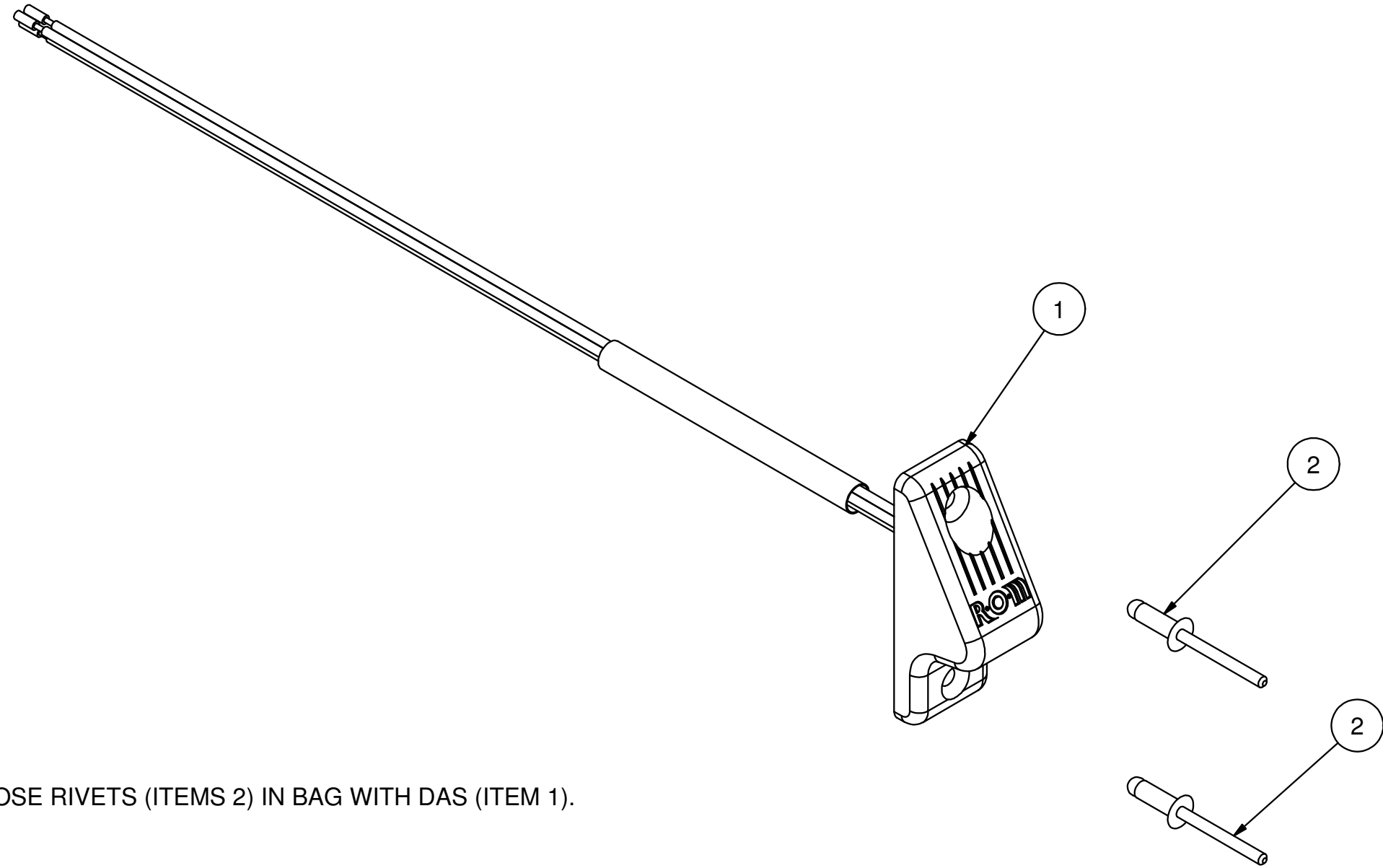
6800 E. 163rd Street
 Belton, MO 64012-5463
 (816) 318-8000
 (800) 827-3692
 Fax (816) 318-8100
 www.romcorp.com

Copyright © 2016 R-O-M Corporation. All Rights Reserved. This drawing and the information contained herein are the confidential and proprietary intellectual property of R-O-M Corporation and should not be disclosed to any third party without the prior written consent of R-O-M Corporation.

| Parts List | | | | |
|----------------------|----------|-----------|-------------|---------|
| SHUTTER | | | | |
| SERIES 4 STRIKER KIT | | | | |
| Size | Scale | Date | Drawn | Checked |
| B | 1=1 | 3/15/2016 | RDS | |
| Rev. | Item No. | Sheet | Drawing No. | |
| A | R04079 | 1 | R04079 | |

SERIES IV – DAS KIT (DOOR AJAR) 3 WIRE (R04074)

| REVISION HISTORY | | | | |
|------------------|--------|-------------|--------|-----|
| LTR | ECN NO | DESCRIPTION | DATE | BY |
| A | 2764 | RELEASE | 2/5/16 | RDS |



NOTE:
ENCLOSE RIVETS (ITEMS 2) IN BAG WITH DAS (ITEM 1).

| ITEM | DESCRIPTION | SELLABLE | PART | QTY |
|------|------------------------------------|----------|--------|-----|
| 2 | RIVET BLIND ALL ALUM 3/16X.575 CSK | YES | R00091 | 2 |
| 1 | DOOR AJAR SWITCH 3 WIRE | YES | R03995 | 1 |

Parts List

UNSPECIFIED TOLERANCES:
 •ANGULAR TOLERANCE ± 1
 •DECIMAL DIMENSIONS:
 0.0 ± .030"
 0.00 ± .015"
 0.000 ± .005"
 •FRACTIONS ± 1/32

NOTE:
 •ALL TOLERANCES ARE NON-CUMULATIVE
 •UNSPECIFIED RADII ARE MINIMUM
 •REMOVE BURRS FROM FABRICATED PART
 •DIMENSIONS ARE IN INCHES, UNLESS OTHERWISE NOTED



6800 E. 163rd Street
 Belton, MO 64012-5463
 (816) 318-8000
 (800) 827-3692
 Fax (816) 318-8100
 www.romcorp.com

SHUTTER

3 WIRE SERIES 4 DAS KIT

Copyright © 2016 R·O·M Corporation. All Rights Reserved. This drawing and the information contained herein are the confidential and proprietary intellectual property of R·O·M Corporation and should not be disclosed to any third party without the prior written consent of R·O·M Corporation.

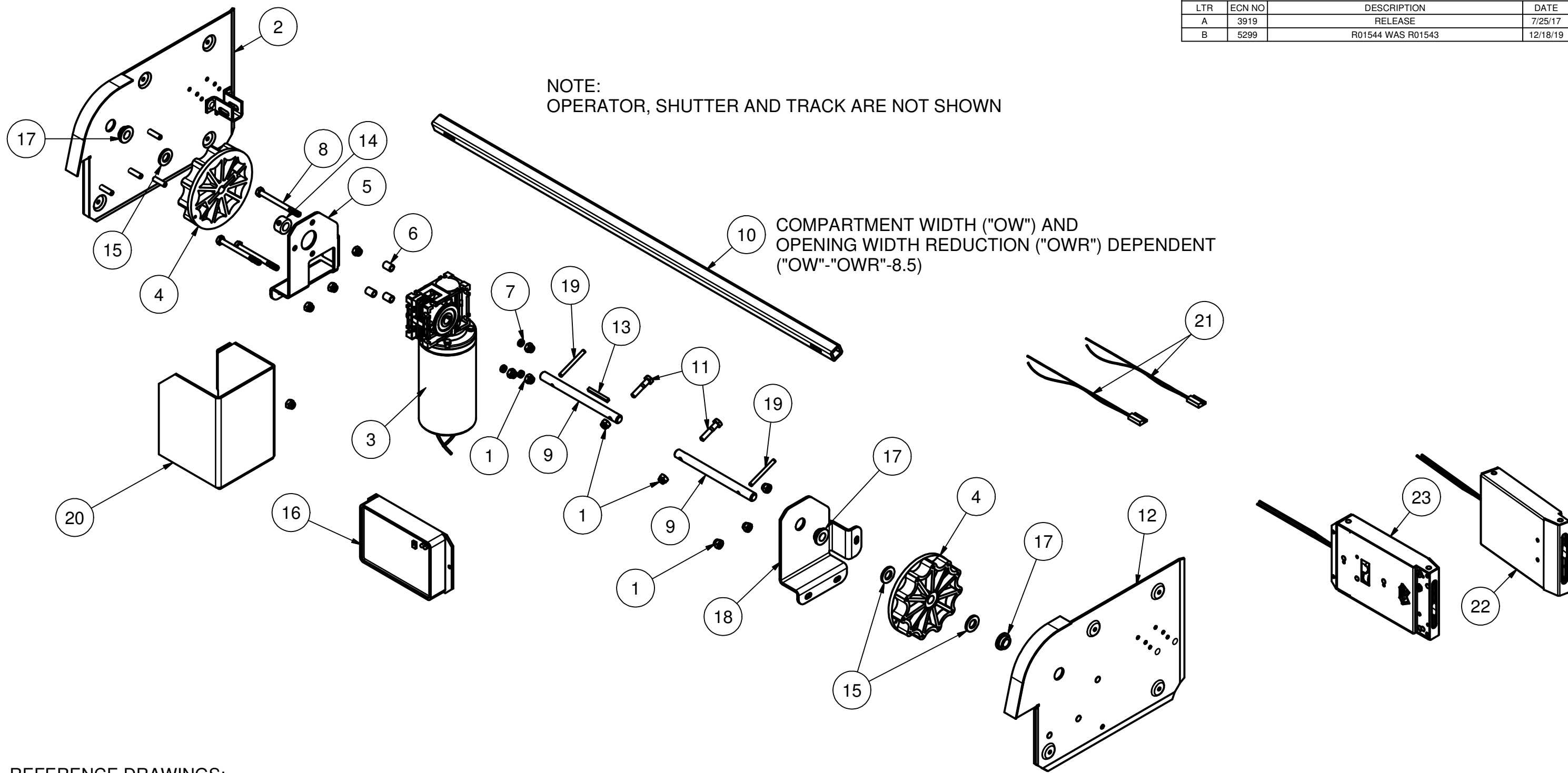
| | | | | |
|------|----------|----------|-------------|---------|
| Size | Scale | Date | Drawn | Checked |
| B | 3/4 | 2/5/2016 | RDS | |
| Rev. | Item No. | Sheet | Drawing No. | |
| A | R04074 | 1 | R04074 | |

SERIES IV - M4000 POWER SHUTTER DRIVE ASSEMBLY (R04317) pg 1

| REVISION HISTORY | | | | |
|------------------|--------|-------------------|----------|-----|
| LTR | ECN NO | DESCRIPTION | DATE | BY |
| A | 3919 | RELEASE | 7/25/17 | RDS |
| B | 5299 | R01544 WAS R01543 | 12/18/19 | RDS |

NOTE:
OPERATOR, SHUTTER AND TRACK ARE NOT SHOWN

COMPARTMENT WIDTH ("OW") AND
OPENING WIDTH REDUCTION ("OWR") DEPENDENT
("OW"- "OWR"-8.5)



REFERENCE DRAWINGS:
R04318-R04325 PENNANT PLATE ASSYS
R04363 CROSS TUBE
R04061MAG BLOCK BOTTOM PWR LOCK LH W/ MAGNET
R04085MAG BLOCK BOTTOM TALL PWR LOCK LH W/ MAGNET
R03981M4000 BOTTOM RAIL MILLING
R01785,R01784 POWER LOCK ASSYS

UNSPECIFIED TOLERANCES:
•ANGULAR TOLERANCE ± 1
•DECIMAL DIMENSIONS:
0.0 ± .030"
0.00 ± .015"
0.000 ± .005"
•FRACTIONS ± 1/32

NOTE:
•ALL TOLERANCES ARE NON-CUMULATIVE
•UNSPECIFIED RADII ARE MINIMUM
•REMOVE BURRS FROM FABRICATED PART
•DIMENSIONS ARE IN INCHES, UNLESS OTHERWISE NOTED



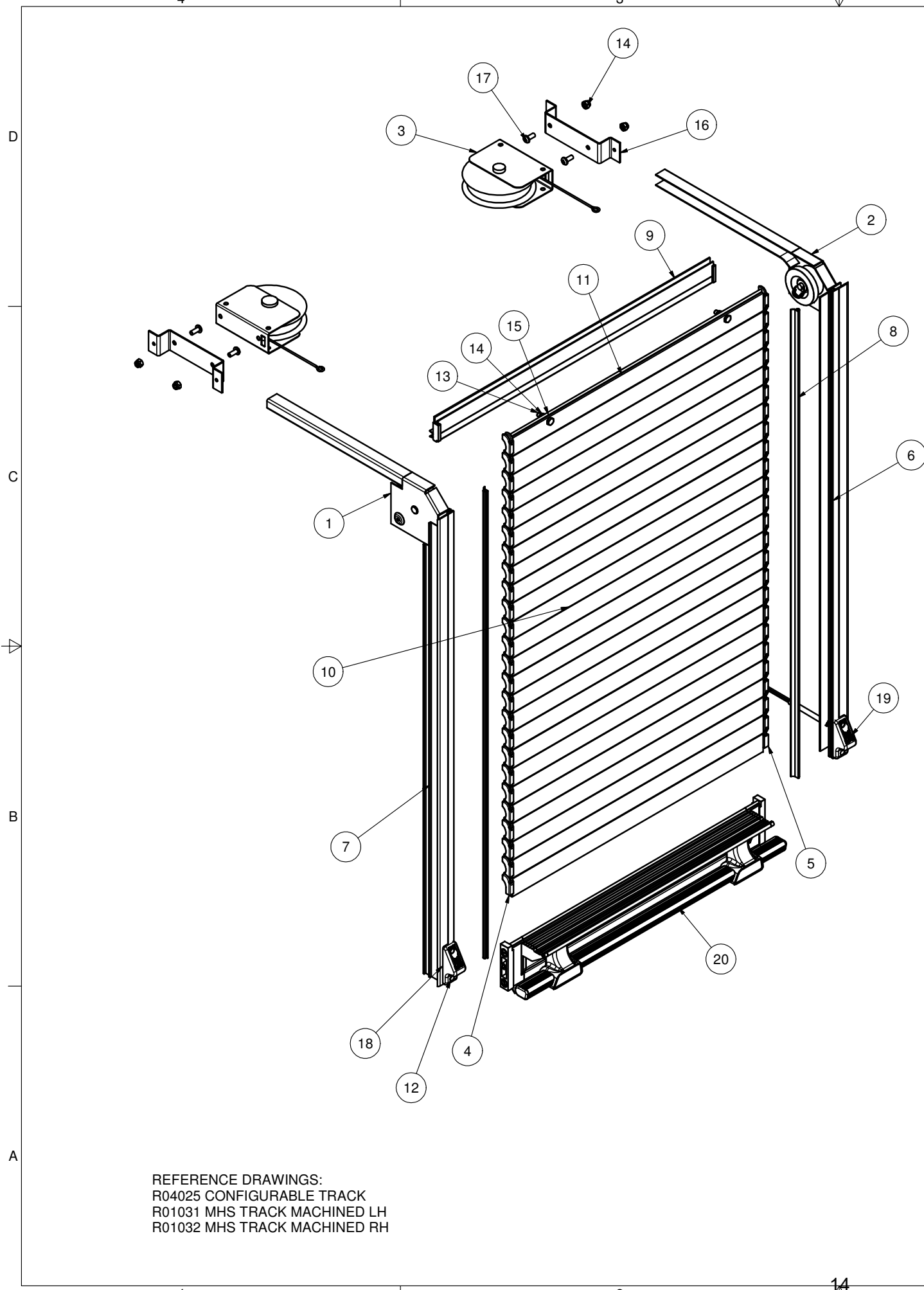
6800 E. 163rd Street
Belton, MO 64012-5463
(816) 318-8000
(800) 827-3692
Fax (816) 318-8100
www.romcorp.com

Copyright © 2016 R-O-M Corporation. All Rights Reserved. This drawing and the information contained herein are the confidential and proprietary intellectual property of R-O-M Corporation and should not be disclosed to any third party without the prior written consent of R-O-M Corporation.

| | | | | |
|------------------|----------|------------|-------------|---------|
| SHUTTER | | | | |
| M4000 DRIVE ASSY | | | | |
| Size | Scale | Date | Drawn | Checked |
| B | NTS | 12/19/2016 | RDS | |
| Rev. | Item No. | Sheet | Drawing No. | |
| B | R04317 | 1 OF 2 | R04317 | |

SERIES 4 MHS - MINIMUM HEADER SHUTTER (R04078)

| REVISION HISTORY | | | | |
|------------------|--------|---|---------|-----|
| LTR | ECN NO | DESCRIPTION | DATE | BY |
| A | 2835 | RELEASE | 5/24/17 | RDS |
| B | 4842 | R00095 WAS R03993 | 1/18/19 | RDS |
| C | 4853 | REMOVE BUMPERS ON BOTTOM RAIL | 1/25/19 | RDS |
| D | 5189 | CORRECTED DESCRIPTIONS OF R00635 & R00636 | 9/12/19 | RDS |



| COUNTERBALANCE | |
|----------------|-----------------------------------|
| PART NO. | DESCRIPTION |
| R03271 | SPRING COUNTERBALANCE 8 LB CABLE |
| R03272 | SPRING COUNTERBALANCE 10 LB CABLE |
| R03337 | SPRING COUNTERBALANCE 4 LB CABLE |
| R03338 | SPRING COUNTERBALANCE 6 LB CABLE |
| R03339 | SPRING COUNTERBALANCE 12 LB CABLE |
| R03340 | SPRING COUNTERBALANCE 14 LB CABLE |
| R03341 | SPRING COUNTERBALANCE 16 LB CABLE |
| R03342 | SPRING COUNTERBALANCE 18 LB CABLE |
| R03343 | SPRING COUNTERBALANCE 20 LB CABLE |
| R03344 | SPRING COUNTERBALANCE 22 LB CABLE |
| R03345 | SPRING COUNTERBALANCE 24 LB CABLE |
| R03346 | SPRING COUNTERBALANCE 26 LB CABLE |
| R03347 | SPRING COUNTERBALANCE 28 LB CABLE |

| NO. | DESCRIPTION | SELLABLE | ITEM | QTY. |
|-----|--|----------|--------|------|
| 20 | SERIES 4 CONFIGURABLE BOTTOM RAIL | YES | R04024 | 1 |
| 19 | DOOR AJAR SWITCH 3 WIRE | YES | R03995 | 1 |
| 18 | STRIKE BLOCK 1" WIDE | YES | R03996 | 1 |
| 17 | 1/4-20 X 5/8 PAN HD SCREW ZP | YES | R02017 | 4 |
| 16 | COUNTERBALANCE MOUNT CHANNEL | YES | R03877 | 2 |
| 15 | WASHER 1/4 SAE 1/16X9/32IDX5/8OD ZP | YES | 10030 | 2 |
| 14 | 1/4-20 NYL INS STOP NUT ZP | YES | 10021 | 6 |
| 13 | 1/4-20 X 1 HEX HD CAP SCREW GR5 ZP | YES | 10016 | 2 |
| 12 | RIVET BLIND ALL ALUM 3/16 X .575 CSK | YES | R00091 | 4 |
| 11 | TOP SLAT, MHS | YES | R01030 | 1 |
| 10 | SLAT ASSEMBLY | YES | R00072 | VAR |
| 9 | DRIP RAIL ASSEMBLY CFG (REPLACEMENT PARTS) | YES | R00038 | 1 |
| 8 | SIDE SEAL LOW PROFILE | YES | R00095 | 2 |
| 7 | TRACK, LEFT MACHINED | YES | VARIES | 1 |
| 6 | TRACK, RIGHT MACHINED | YES | VARIES | 1 |
| 5 | RIGHT HAND SHORT END BLOCK | YES | R00636 | 1 |
| 4 | LEFT HAND SHORT END BLOCK | YES | R00635 | 1 |
| 3 | SPRING COUNTERBALANCE XX LB CABLE | YES | TABLE | 2 |
| 2 | PENNANT PLATE ASSY, RH, MHS | YES | R01028 | 1 |
| 1 | PENNANT PLATE ASSY, LH, MHS | YES | R01029 | 1 |

REFERENCE DRAWINGS:
R04025 CONFIGURABLE TRACK
R01031 MHS TRACK MACHINED LH
R01032 MHS TRACK MACHINED RH

R.O.M. CORPORATION
Excellence made to order.

6800 E. 163rd Street
Belton, MO 64012-5463
(816) 318-8000
(800) 827-3692
Fax (816) 318-8100
www.romcorp.com

SHUTTER

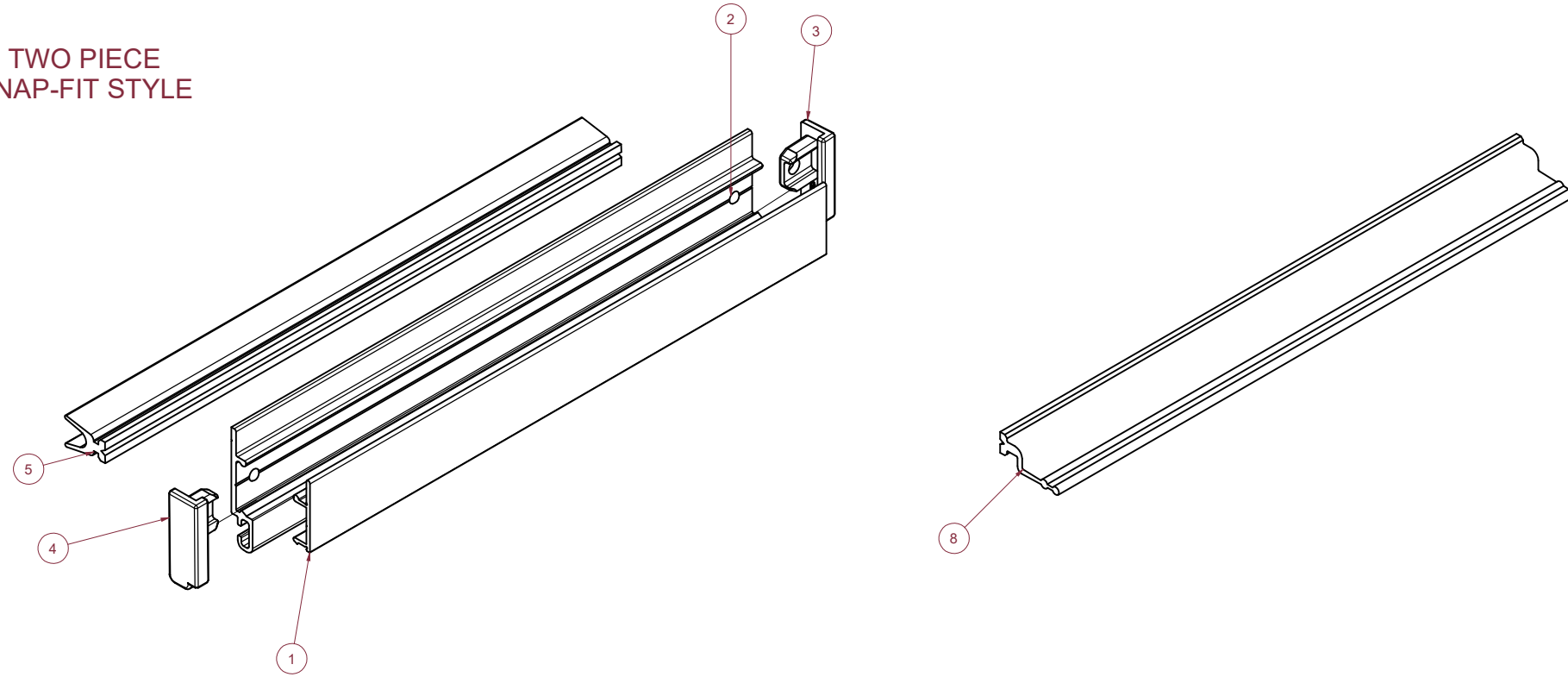
SERIES 4 MHS SHUTTER ASSEMBLY REF DWG

| | | | | | |
|--|-----------|--------------------|-------------------|-----------------------|---------|
| Copyright © 2011 R-O-M Corporation. All Rights Reserved. This drawing and the information contained herein are the confidential and proprietary intellectual property of R-O-M Corporation and should not be disclosed to any third party without the prior written consent of R-O-M Corporation. Dimensions are in inches unless otherwise noted. | Size C | Scale NTS | Date 2/29/2016 | Drawn RDS | Checked |
| | Rev. D | Item No. R04078 | Sheet 1 | Drawing No. R04078 | |

DRIP RAIL ASSEMBLY CONFIGURABLE (R00038)

| REVISION HISTORY | | | | |
|------------------|--------|-------------------------------------|------------|-------|
| LTR | ECN NO | DESCRIPTION | DATE | BY |
| A | 566 | NEW DRAWING | 12/15/2006 | ARLA |
| B | 1196 | REMOVED OBSOLETE OPTIONS | 8/23/14 | JBOLL |
| C | 5631 | ADD R00638-GR & R00639-GR | 6/4/19 | ROS |
| D | 7395 | REMOVED 14089 AND R00161 BRUSH SEAL | 2/21/25 | NW |

TWO PIECE
SNAP-FIT STYLE



| | | | | 1 |
|------|--|----------|-------------|-----|
| | | | | 1 |
| 5 | TOP SEAL EXTRUSION, V DESIGN | | 14118 | 1 |
| 8 | TOP SEAL W/ SINGLE BLADE | | R00304 | 1 |
| | | | | |
| | | | | |
| | | | | |
| 4 | DRIP RAIL LEFT END CAP, NYLON (GRAY) | | R00638-GR | 1 |
| 4 | DRIP RAIL LEFT END CAP, NYLON (BLACK) | | R00638 | 1 |
| 3 | DRIP RAIL RIGHT END CAP, NYLON (GRAY) | | R00639-GR | 1 |
| 3 | DRIP RAIL RIGHT END CAP, NYLON (BLACK) | | R00639-EZ | 1 |
| 2 | DRIP RAIL BASE SNAP, ALUMINUM EXTRUSION | | R01233 | 1 |
| 1 | DRIP RAIL COVER SNAP, ALUMINUM EXTRUSION | | R01234 | 1 |
| ITEM | DESCRIPTION | SELLABLE | PART NUMBER | QTY |

Parts List

ROM
CORPORATION
Excellence made to order.

6800 E. 163rd Street
Belton, MO 64012-5463
(816) 318-8000
(800) 827-3652
Fax (816) 318-8100
www.romcorp.com

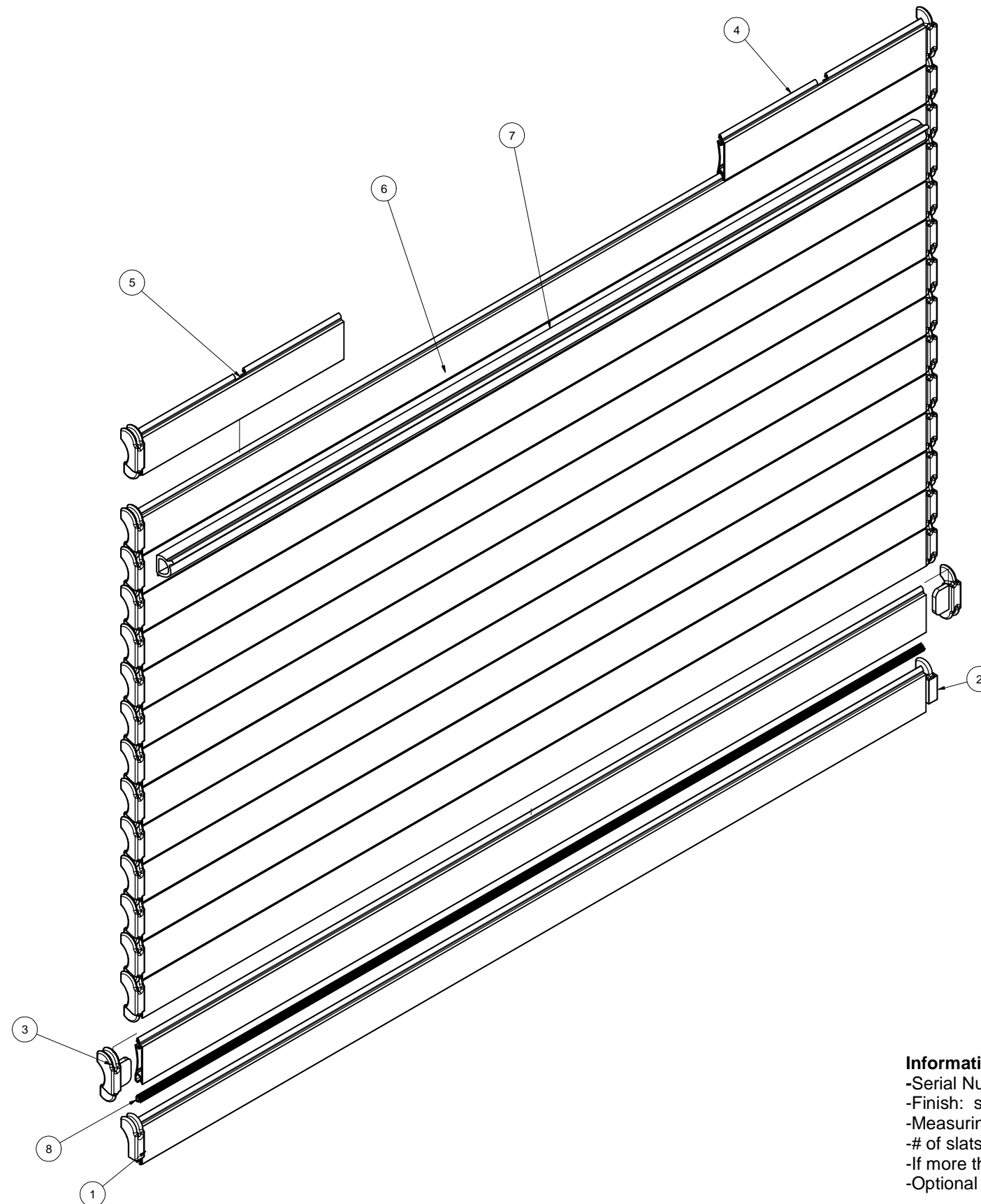
SHUTTER

DRIP RAIL ASSEMBLY CONFIGURABLE

| | | | | | |
|--|-----------|--------------------|--------------------|-----------------------|---------|
| Copyright © 2006 R-O-M Corporation. All Rights Reserved. This drawing and the information contained herein are the confidential and proprietary intellectual property of R-O-M Corporation and should not be disclosed to any third party without the prior written consent of R-O-M Corporation. Dimensions are in inches unless otherwise noted. | Size D | Scale NTS | Date 12/15/2006 | Drawn ARLA | Checked |
| | Rev. D | Item No. R00038 | Sheet 1 | Drawing No. R00038 | |


SLAT ASSEMBLY (R00072)

| REVISION HISTORY | | | | |
|------------------|--------|---|----------|------|
| LTR | ECN NO | DESCRIPTION | DATE | BY |
| C | 882 | NEW ASSEMBLY DRAWING | 11/24/09 | ARLA |
| D | 2455 | R04042 WAS 14006 | 9/17/15 | ARLA |
| E | 5189 | CORRECTED DESCRIPTIONS OF R00635 & R00636 | 9/12/19 | RDS |



Information required at time of order:
 -Serial Number to determine correct finish
 -Finish: satin, brushed or painted with paint information
 -Measuring method: Contact sales for more information
 -# of slats required
 -If more than one - Assembled or separate.
 -Optional weather stripping shipped loose if required

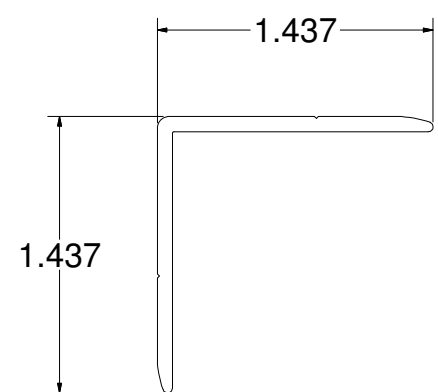
| ITEM | DESCRIPTION | SELLABLE | PART | QTY |
|------|------------------------------------|----------|--------|-----|
| 8 | INNER SEAL ALL RIGID | YES | R04042 | VAR |
| 7 | WEATHER STRIPPING 5036-H2 ADHESIVE | YES | R03479 | VAR |
| 6 | SLAT (VARIOUS MATERIAL) | YES | 14014 | VAR |
| 5 | T-SLAT ASSY LEFT | YES | R03951 | 1 |
| 4 | T-SLAT ASSY RIGHT | YES | R03950 | 1 |
| 3 | END SHOE NYLON | YES | 14004 | VAR |
| 2 | RIGHT HAND SHORT END SHOE | YES | R00636 | 1 |
| 1 | LEFT HAND SHORT END SHOE | YES | R00635 | 1 |

| Parts List | | | | |
|---|----------|---------------|-------------|---------|
|  6800 E. 163rd Street Belton, MO 64012-5463 (816) 318-8000 (800) 827-3692 Fax (816) 318-8100 www.romcorp.com Excellence made to order. | | SHUTTER | | |
| | | SLAT ASSEMBLY | | |
| Size | Scale | Date | Drawn | Checked |
| D | NTS | 11/24/2009 | ARLA | |
| Rev | Item No. | Sheet | Drawing No. | |
| E | R00072 | 1 | R00072 | |

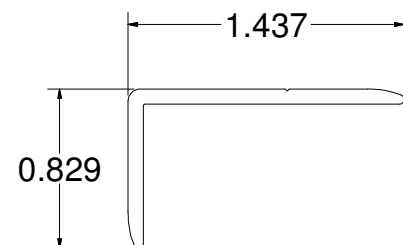
Copyright © 2009 R-O-M Corporation. All Rights Reserved. This drawing and the information contained herein are the confidential and proprietary intellectual property of R-O-M Corporation and should not be disclosed to any third party without the prior written consent of R-O-M Corporation. Dimensions are in inches unless otherwise noted.

SILL PLATE CONFIGURABLE (R00029)

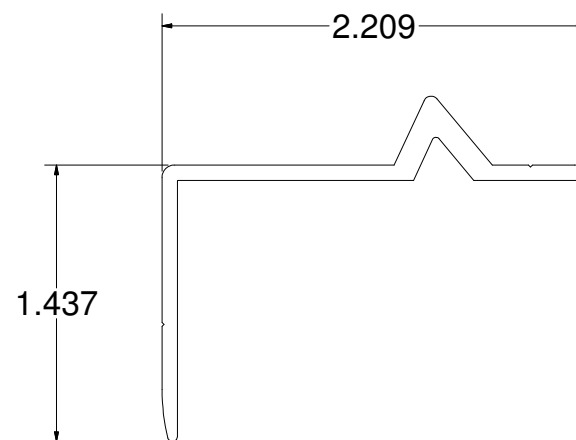
| LTR | | ECN NO | | REVISION HISTORY | | DATE | BY |
|-------------|--|--------|--|------------------|--|--------|------|
| DESCRIPTION | | | | | | | |
| A | | 761 | | NEW DRAWING | | 8/4/08 | ARLA |



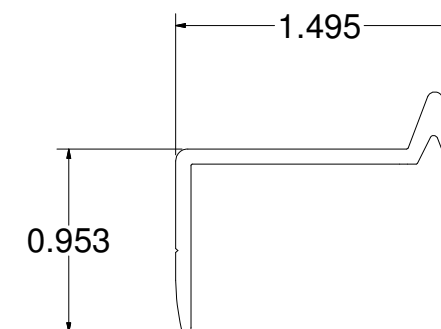
Standard Sill Plate



Reduced Flange Sill Plate



Sill Plate With Dam



Reduced Sill Plate With Dam

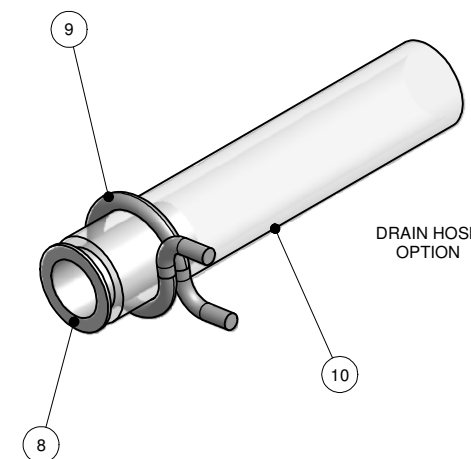
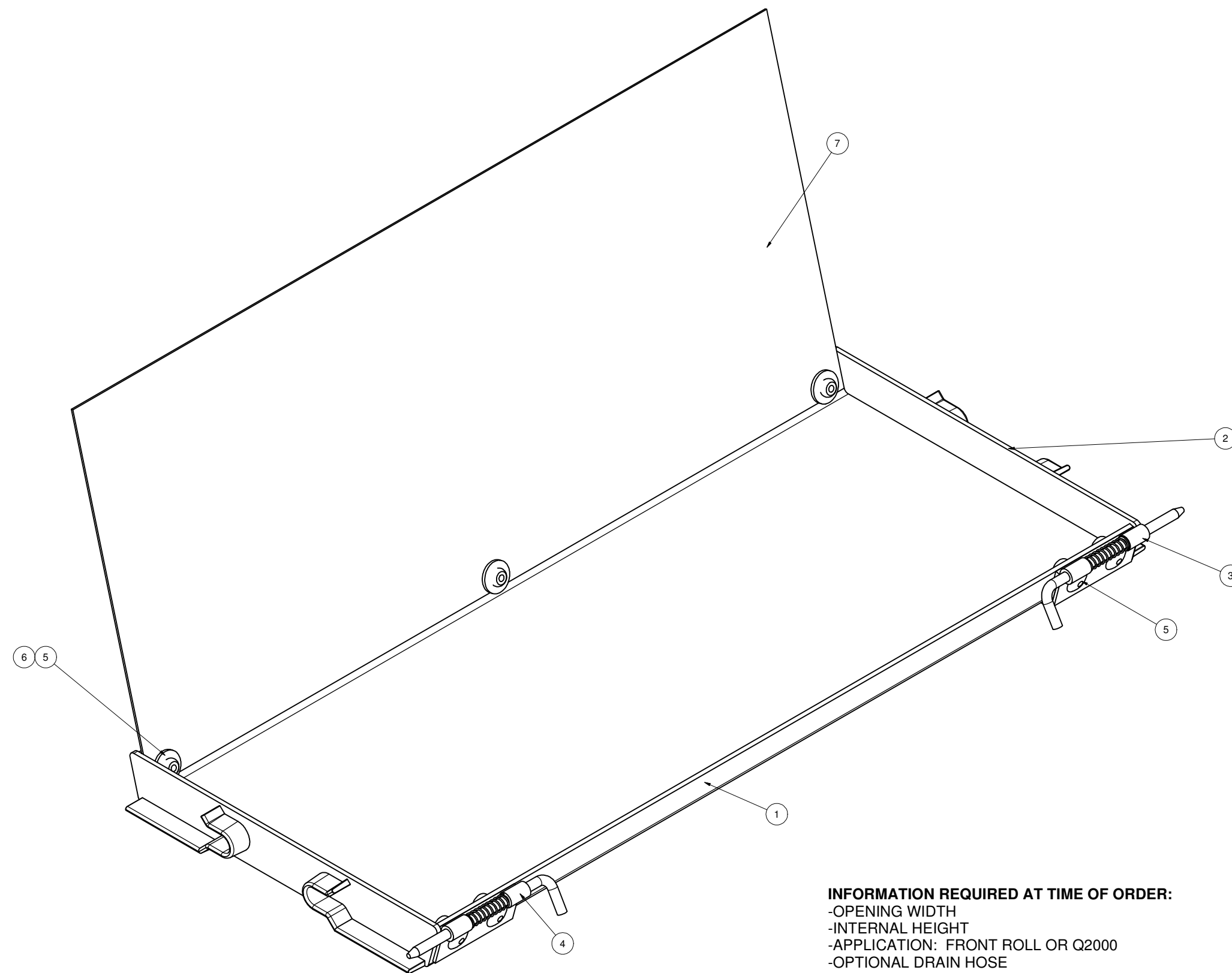
Information required at time of order:

- Sill plate profile (see above)
- Measuring method: Door opening width or actual measurement
- Finish: satin or painted with paint information
- Track style: Reference drawing R00240
- Sill flange - Ends will be notched for track style selected

| | | | | | | |
|---|------------------------------|----------|-------------|---------|--|--|
| <p>6800 E. 163rd Street Belton, MO 64012-5463 (816) 318-8000 (800) 827-3692 Fax (816) 318-8100 www.romcorp.com</p> <p><small>Copyright © 2008 R-O-M Corporation. All Rights Reserved. This drawing and the information contained herein are the confidential and proprietary intellectual property of R-O-M Corporation and should not be disclosed to any third party without the prior written consent of R-O-M Corporation. Dimensions are in inches unless otherwise noted.</small></p> | SHUTTER | | | | | |
| | SILL PLATE CONFIGURABLE ITEM | | | | | |
| Size | Scale | Date | Drawn | Checked | | |
| D | NTS | 8/1/2008 | ARLA | | | |
| Rev | Item No. | Sheet | Drawing No. | | | |
| A | R00029 | 1 | R00029 | | | |

DRIP PAN CONFIGURATION ASSEMBLY


| REVISION HISTORY | | | | |
|------------------|--------|------------------------------|---------|------|
| LTR | ECN NO | DESCRIPTION | DATE | BY |
| A | 761 | NEW DRAWING | 8/27/08 | ARLA |
| B | 882 | UPDATED TO REMOVE SCREW BOSS | 4/27/10 | ARLA |



INFORMATION REQUIRED AT TIME OF ORDER:

- OPENING WIDTH
- INTERNAL HEIGHT
- APPLICATION: FRONT ROLL OR Q2000
- OPTIONAL DRAIN HOSE

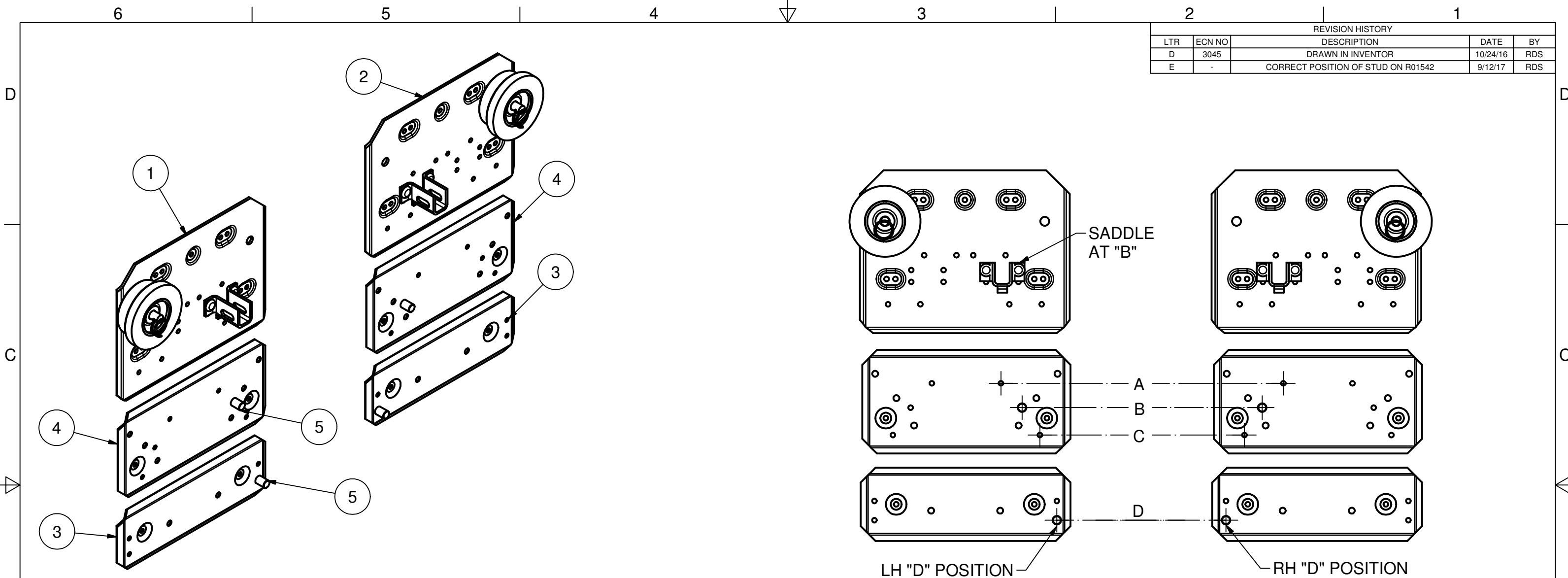
| ITEM | DESCRIPTION | SELLABLE | PART | QTY |
|------|-------------------------------------|----------|--------|-----|
| 14 | PENNANT PLATE D DRIP PAN | YES | CALL | 1 |
| 13 | PENNANT PLATE A,B,C DRIP PAN | YES | CALL | 1 |
| 12 | RETROFIT PENNANT PLATES (NOT SHOWN) | | | 1 |
| 10 | HOSE 3/8 ID X 1/2 OD | YES | R01101 | 1 |
| 9 | HOSE CLAMP | YES | R01100 | 1 |
| 8 | DRAIN LINE INSERT | YES | R01102 | 1 |
| 7 | BACK SPLASH | NO | R00996 | 1 |
| 6 | WASHER 1/4 SAE 1/16X9/32IDX5/8OD ZP | NO | 10030 | 5 |
| 5 | RIVET, POP 1/4 X 3/8 GRIP RANGE AL | YES | 11009 | VAR |
| 4 | SPRING LATCH, LH | YES | R00990 | 1 |
| 3 | SPRING LATCH, RH | YES | R00989 | 1 |
| 2 | DRIP PAN END CAP | NO | R00804 | 2 |
| 1 | DRIP PAN EXTR | NO | R00803 | 1 |

| Parts List | | | | |
|--|----------|---------------------------------|-------------|---------|
|  6800 E. 163rd Street Belton, MO 64012-5463 (816) 318-8000 (800) 827-3692 Fax (816) 318-8100 www.romcorp.com | | SHUTTER | | |
| | | DRIP PAN CONFIGURATION ASSEMBLY | | |
| Size | Scale | Date | Drawn | Checked |
| D | NTS | 8/4/2008 | ARLA | |
| Rev | Item No. | Sheet | Drawing No. | |
| B | R00992 | 1 | R00992 | |

Copyright © 2008 R-O-M Corporation. All Rights Reserved. This drawing and the information contained herein are the confidential and proprietary intellectual property of R-O-M Corporation and should not be disclosed to any third party without the prior written consent of R-O-M Corporation. Dimensions are in inches unless otherwise noted.

PENNANT PLATES - FRONT ROLL WITH DRIP PAN

| REVISION HISTORY | | | | |
|------------------|--------|------------------------------------|----------|-----|
| LTR | ECN NO | DESCRIPTION | DATE | BY |
| D | 3045 | DRAWN IN INVENTOR | 10/24/16 | RDS |
| E | - | CORRECT POSITION OF STUD ON R01542 | 9/12/17 | RDS |



| PARTS LIST | | | | |
|------------|----------------|---------------|------------|--------|
| P/N | DESCRIPTION | PENNANT PLATE | DRIP PLATE | STUD |
| R01040 | RH "A" PENNANT | R04032 | R01541 | R00988 |
| R01041 | LH "A" PENNANT | R04031 | R01541 | R00988 |
| R01042 | RH "B" PENNANT | R04034 | R01541 | R00988 |
| R01043 | LH "B" PENNANT | R04033 | R01541 | R00988 |
| R01044 | RH "C" PENNANT | R04036 | R01541 | R00988 |
| R10145 | LH "C" PENNANT | R04035 | R01541 | R00988 |
| R01046 | RH "D" PENNANT | R04038 | R01542 | R00988 |
| R01047 | LH "D" PENNANT | R04037 | R01542 | R00988 |

UNSPECIFIED TOLERANCES:
 •ANGULAR TOLERANCE ± 1
 •DECIMAL DIMENSIONS:
 0.0 ± .030"
 0.00 ± .015"
 0.000 ± .005"
 •FRACTIONS ± 1/32

NOTE:
 •ALL TOLERANCES ARE NON-CUMULATIVE
 •UNSPECIFIED RADII ARE MINIMUM
 •REMOVE BURRS FROM FABRICATED PART
 •DIMENSIONS ARE IN INCHES, UNLESS OTHERWISE NOTED

| 5 | HANGER STUD | NO | R00988 | VAR |
|------|---------------------------|----------|--------|-----|
| 4 | PENNANT PLATE A,B,C | NO | R01541 | VAR |
| 3 | PENNANT PLATE D | NO | R01542 | VAR |
| 2 | RH PENNANT PLATE ASSEMBLY | YES | TABLE | 1 |
| 1 | LH PENNANT PLATE ASSEMBLY | YES | TABLE | 1 |
| ITEM | DESCRIPTION | SELLABLE | PART | QTY |

ROM
 A Safe Fleet Brand

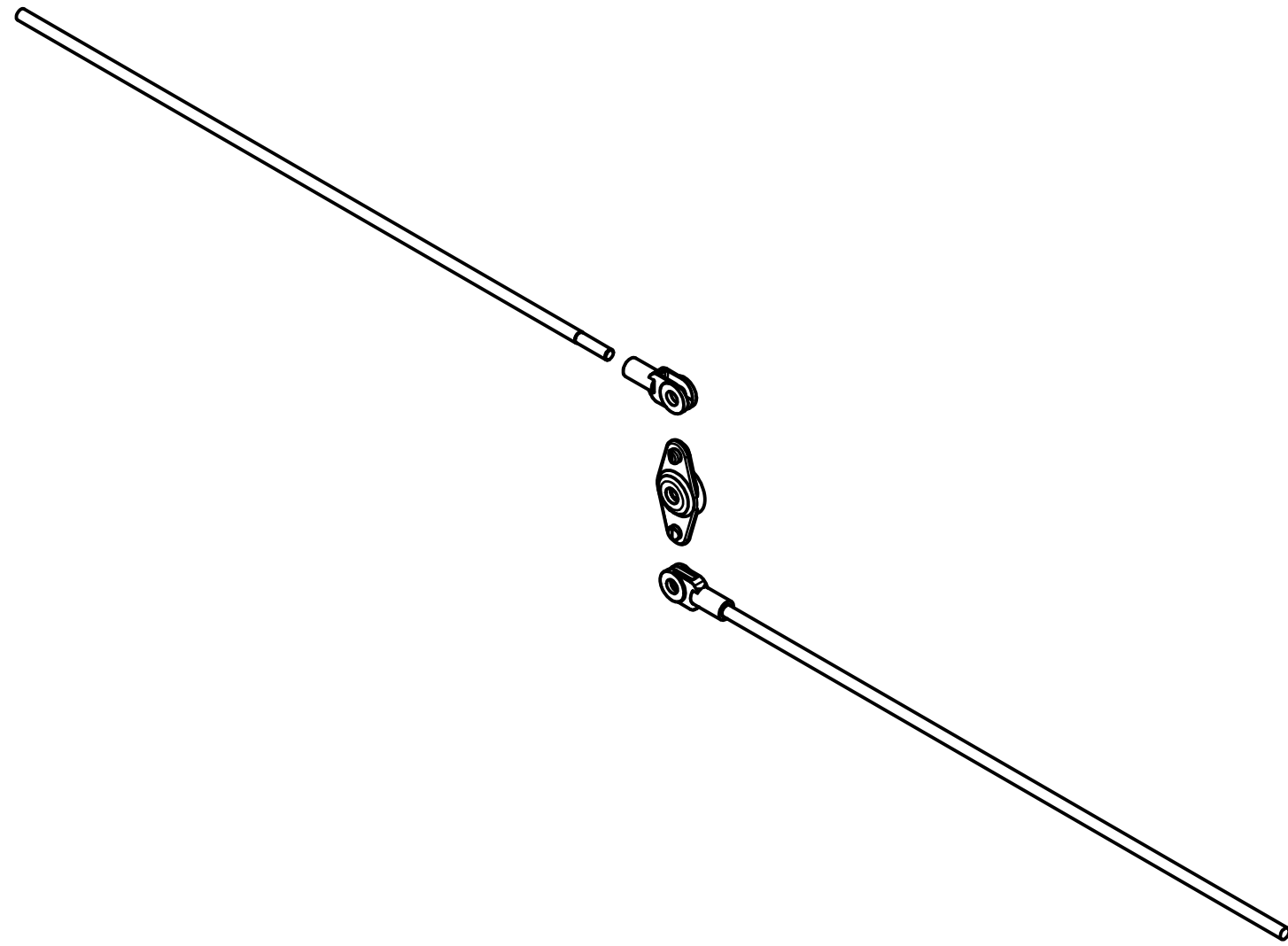
6800 E. 163rd Street
 Belton, MO 64012-5463
 (816) 318-8000
 (800) 827-3692
 Fax (816) 318-8100
 www.romcorp.com

| Parts List | | | | |
|--------------------------------------|---------------|------------|---------------|---------|
| SHUTTER | | | | |
| PENNANT PLATE FRONT ROLL W/ DRIP PAN | | | | |
| Size | Scale | Date | Drawn | Checked |
| B | NTS | 10/24/2016 | RDS | |
| Rev. | Item No. | Sheet | Drawing No. | |
| E | R01040-R01047 | 1 | R01040-R01047 | |

Copyright © 2016 R-O-M Corporation. All Rights Reserved. This drawing and the information contained herein are the confidential and proprietary intellectual property of R-O-M Corporation and should not be disclosed to any third party without the prior written consent of R-O-M Corporation.

KEYLOCK LOCKROD AND BELLCRANK KIT (R04419)

| REVISION HISTORY | | | | |
|------------------|--------|--------------------------------|----------|-----|
| LTR | ECN NO | DESCRIPTION | DATE | BY |
| 1 | - | DRAWN | 8/3/18 | RDS |
| A | 4768 | RELEASE TO PRODUCTION | 11/27/18 | RDS |
| B | 4876 | ADD 00236 & 01250 KEYLOCK NOTE | 2/18/19 | RDS |



NOTE:
PROVIDE "OW" FOR SHUTTER
REF DWG: R04418

01250 KEYLOCKS WILL REQUIRE
R04449 SCREW
& R04450 LOCKWASHER

00236 KEYLOCKS WILL REQUIRE
R04452 SCREW
& R04453 LOCKWASHER

UNSPECIFIED TOLERANCES:
ANGULAR TOLERANCE ± 1
DECIMAL DIMENSIONS:
0.0 ± .030"
0.00 ± .015"
0.000 ± .005"
FRACTIONS ± 1/32

NOTE:
ALL TOLERANCES ARE NON-CUMULATIVE
UNSPECIFIED RADII ARE MINIMUM
REMOVE BURRS FROM FABRICATED PART
DIMENSIONS ARE IN INCHES, UNLESS
OTHERWISE NOTED

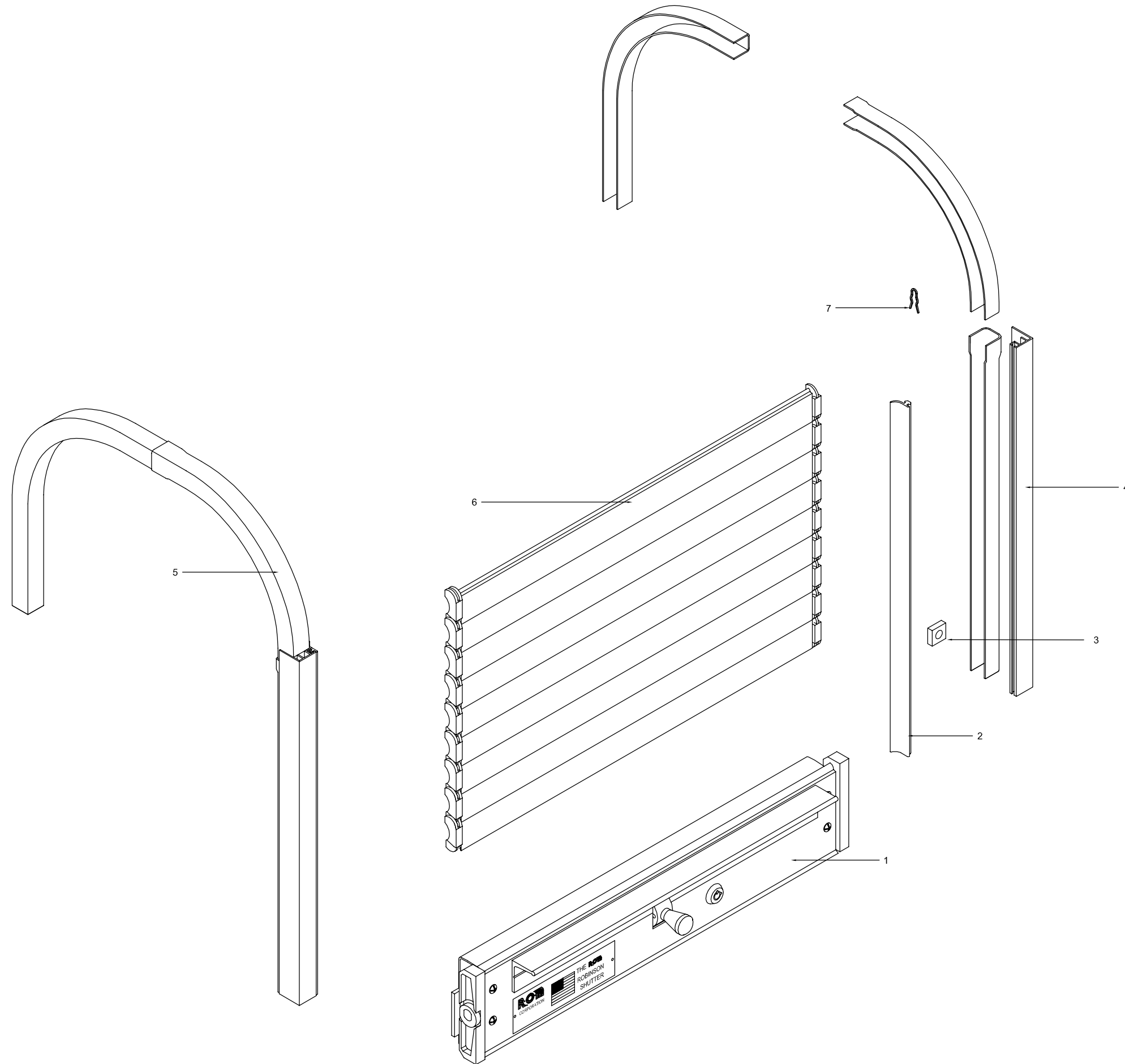
| - | 1/4 INTERNAL TOOTH LOCKWASHER SS | YES | R04453 | - |
|------|----------------------------------|----------|-------------|-----|
| - | 1/4-20 X 3/8 RH PHL MS ZP | YES | R04452 | - |
| - | M6 INTERNAL TOOTH LOCKWASHER SS | YES | R04450 | - |
| - | M6-1.0 X 10MM RH PHL MS ZP | YES | R04449 | - |
| 3 | KEYLOCK LOCKROD | NO | R04418 | 2 |
| 2 | KEYLOCK BELLCRANK | YES | R04416 | 1 |
| 1 | KEYLOCK CLEVIS | YES | R04417 | 2 |
| ITEM | DESCRIPTION | SELLABLE | PART NUMBER | QTY |

Parts List

| | | | | | | |
|--|--|-----------|--------------------|------------------|-----------------------|---------|
| Excellence made to order. | SHUTTER | | | | | |
| | KEYLOCK LOCKROD & BELLCRANK KIT | | | | | |
| Copyright © 2018 R-O-M Corporation. All Rights Reserved. This drawing and the information contained herein are the confidential and proprietary intellectual property of R-O-M Corporation and should not be disclosed to any third party without the prior written consent of R-O-M Corporation. Dimensions are in inches unless otherwise noted. | 6800 E. 163rd Street Belton, MO 64012-5463 (816) 318-8000 (800) 827-3692 Fax (816) 318-8100 www.romcorp.com | Size B | Scale NTS | Date 8/3/2018 | Drawn RDS | Checked |
| | | Rev. B | Item No. R04419 | Sheet 1 | Drawing No. R04419 | |

AUTOLATCH ROLL-UP SHUTTER DOOR

| LET | ECN NO | REVISION CHANGES | DATE | BY |
|-----|--------|-------------------------------------|--------|------|
| B | NA | ADDED HAIRPIN CLIP | 5/1/99 | DWW |
| C | 150 | UPDATED SIDE SEAL PER CURRENT STYLE | 5/1/02 | CMS |
| D | 648 | UPDATED BOM | 8/1/07 | ARLA |



| NO. | PART NAME | SELLABLE | ITEM | QTY. |
|-----|---------------------------------------|----------|--------|------|
| 7 | HAIRPIN CLIP EXTERNAL ZP WW406 | YES | R00355 | 2 |
| 6 | SLAT ASSEMBLY SHUTTER | YES | R00072 | 1 |
| 5 | AUTOLATCH TRACK ASSEMBLY, REPLACEMENT | YES | R00074 | 2 |
| 4 | SIDE SEAL RETAINER CUT TO LENGTH | YES | R00064 | VAR |
| 3 | LOCK BLOCK GEM LOCK 1/4 X 3/4 | YES | 14054 | 1 |
| 2 | SIDE SEAL GRAY UV STAB GR 201-64 | YES | 14091 | VAR |
| 1 | BOTTOM RAIL ASSY REPLACEMENT | YES | R00178 | 1 |

ROM CORPORATION
 6800 E. 163rd Street
 Belton, MO 64012-5463
 (816) 318-8000
 (800) 827-3692
 Fax (816) 318-8100
 www.romcorp.com

SHUTTER
AUTOLATCH

| | | | | | |
|--|--------|-----------------|--------------|--------------------|---------|
| Copyright © 2007 ROM Corporation. All Rights Reserved. This drawing and the information contained herein are the confidential and proprietary intellectual property of ROM Corporation and should not be disclosed to any third party without the prior written consent of ROM Corporation. Dimensions are in inches unless otherwise noted. | Size D | Scale .5=1 | Date 4/1/06 | Drawn CMS | Checked |
| | Rev D | Item No. R00151 | Sheet 1 of 1 | Drawing No. R00151 | |

ROLL-UP SHUTTER DOOR - KIT PARTS

| PART # | PART DESCRIPTION | BOM PART # | MATERIAL PART DESCRIPTION | QTY |
|--------|--|------------|--|-----|
| R01078 | DASS 5-WIRE (DOOR AJAR SWITCH) REPLACEMENT KIT | R00091 | RIVET BLIND ALL ALUM 3/16 X .575 CSK | 2 |
| | | R00781 | DOOR AJAR SWITCH (5 WIRE) | 1 |
| R01711 | STRIKE REPLACEMENT KIT | R00091 | RIVET BLIND ALL ALUM 3/16 X .575 CSK | 2 |
| | | R00671 | STRIKE BLOCK 1" WIDE | 1 |
| R03257 | FRONT ROLL OPERATOR STRAP KIT (PAIR) | 24211 | STRAP ASSY FRONT ROLL W/ T-CLIP / O-CONN | 2 |
| | | R00366 | RIVET AD64ABS 3/16X3/8H .125-.25GRP | 2 |
| R03622 | J236 LOCK KIT KEYED FOR SHUTTERS | 14062 | LOCK MOUNTING BLOCK GRAY NYLON 6 | 1 |
| | | R01931 | CAM BOTTOM RAIL HORIZONTAL ZP | 1 |
| | | 00236 | LOCK J236 CAM TYPE SLOT W/DUST CVR | 1 |
| | | R01930 | LOCK STOP 180 DEGREE | 1 |
| R03994 | PENNANT PLATE ROLLER OVERMOLDED WHEEL - SERIES IV | | | 1 |