

DUROSTRIP™ V5 LED Lightbar Installation Instructions

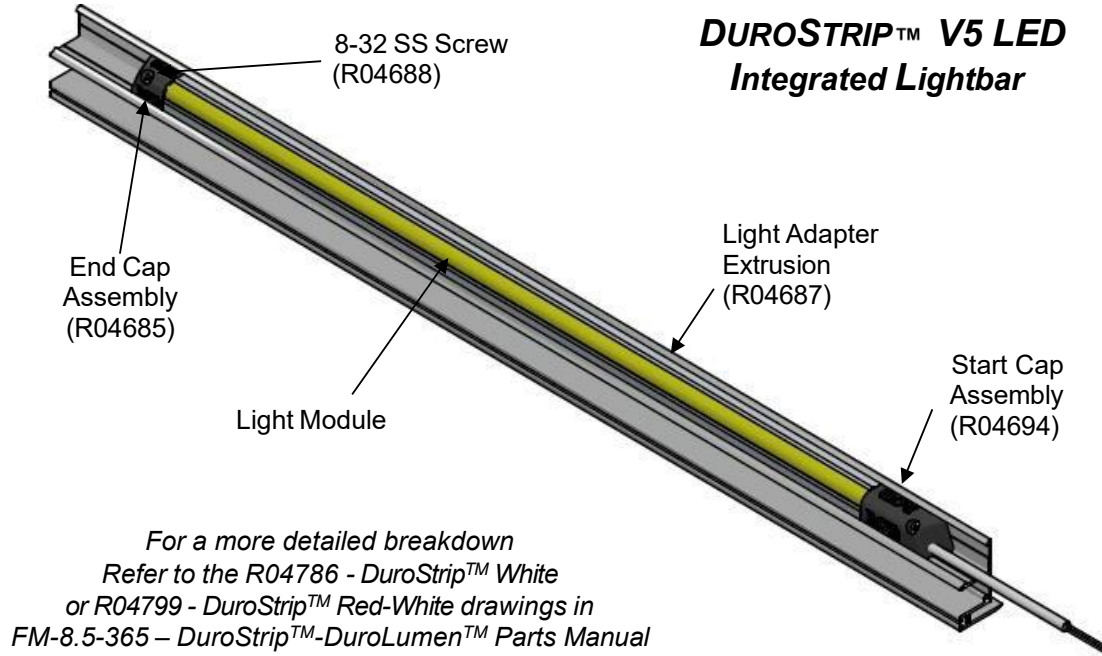


Congratulations on your purchase of the R•O•M DuroStrip™ V5 LED Lightbar! The integrated track light or lightbar can be installed with the R•O•M Roll-up Shutter Door or as a stand-alone application.

Please read and carefully follow these instructions!

Things to know:

- Nominal voltage: 12 VDC
- Amperage: White LED 0.35 amps per foot @ 12.8 VDC
Red-White LED 0.22 amps per foot @ 12.8 VDC
- Red wire to power and black wire to ground. See *wiring diagram* for wiring with DASS
- Available lengths: 6", 12", 18", 24", 36", 48" and 60"



You will need the following tools to install your DuroStrip™ V5 LED Lightbar, please note these are not included with your system:

- Drill
- Drill bits – 11/64
- Countersink bit
- Fasteners for light bar
(#10 Self-tapping hex-head machine or sheet metal screws are recommended)
- Screwdriver – Phillips or flathead (depending on hardware selected)
- Wire cutters

DUROSTRIP™ V5 LED Lightbar Installation Instructions

To install the DuroStrip™ V5 Integrated Lightbar complete the following steps:

1. The wiring will be at the top, on most integrated lightbar orders. Determine where you will be running the wiring; ensuring there are no sharp edges that could cut through the wire insulation.
2. Match drill mounting holes using a #11/64 drill bit.
3. Install the integrated lightbar extrusion using #10 self-tapping hex-head machine or sheet metal screws.
4. Using the pigtail wiring provided, connect the red wire to power and the black wire to ground using the connector of your choice. See page 4 for wiring diagram when lights are used with the door ajar switch.

To install DuroStrip™ V5 Stand-Alone Lightbar use the specified double-sided tape, extrusion screw holes, R03052 mounting block, or R03907 thru mounting block:

1. Determine the path the wires will be routed (top or bottom). Ensuring there are no sharp edges that could cut through the wire insulation.
2. Stand-alone lightbars are positioned & attached with the provided double-sided tape, specified R03052 mounting block, and/or new R03907 thru mounting block.
 - a. If screw mounting is desired, drill mounting holes on the outer ends of the stand-alone extrusion and attach.

To replace existing DuroStrip™ V4 modules in Integrated track:

1. Unscrew the existing M4 screws to release the current clips on the start and end blocks. Remove the current clips.
2. Remove the light modules and spring retainer clips, so that nothing is in the light bar channel.
3. Detach the track from the wall of the compartment.
4. Swing the bottom of the track out of the compartment and slide in the adapter extrusion with the light module.
5. Attach the start cap over top of the wires, and the end cap at the other end to contain the adapter extrusion. Tighten the 8-32 screw until the caps are snug and won't move.
6. Re-attach the track.
7. Use the wiring provided, connect the red wire to power and the black wire to ground using the connector of your choice. See page 4 for wiring diagram when lights are used with the door ajar switch.

DUROSTRIP™ V5 LED Lightbar Installation Instructions

To replace DuroStrip™ V5 LED lightbars:

1. Remove the start cap assembly from the aluminum extrusion by loosening the 8-32 screw. (See Fig. 1 for layout of parts and Fig. 1a for removed).

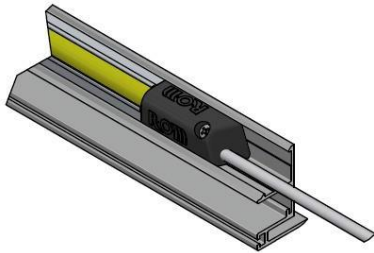


Fig. 1

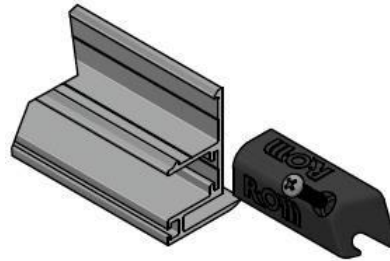


Fig. 1a

2. Slide the module out of the adapter extrusion.
3. Slide the new module into the adapter extrusion.
4. Replace the start cap assembly and 8-32 screw to complete the assembly.
5. Using the pigtail wiring provided, connect the red wire to power and the black wire to ground using the connector of your choice. When lights are used with the door ajar switch, see page 4 for wiring diagram.

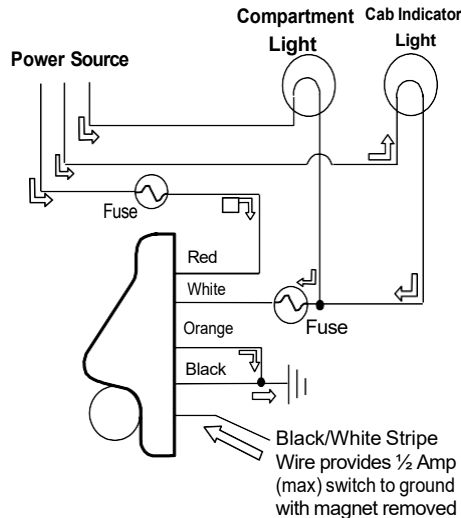
This completes your installation of DuroStrip™ V5 LED Lightbar.

If you have any questions, please contact Customer Service at 1-800-827-3692 ext. 5000 or rom.orders@romcorp.com or visit our website at www.romcorp.com.

DUROSTRIP™ V5 LED Lightbar Installation Instructions

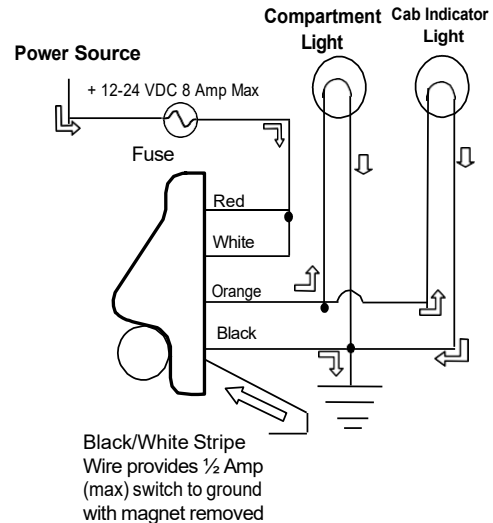
Door Ajar Wiring Diagram and Wiring Test Procedure:

Lights to Ground Thru Solid State
Switch Configuration
Indicator Lights to +12-24 VDC 8 Amps Max
(Supply voltage of less than 11V can
cause switch to malfunction)



(Preferred Wiring)

Lights to Power Thru Solid State
Switch Configuration
Indicator Lights to Ground
(Supply voltage of less than 9V can
cause switch to malfunction)



This device has a solid-state output switch, and polarity is important. Damage to the device may result from extended operation with improper connection of the wires.

To determine if proper installation has been achieved, check the operation of the door ajar switch by applying a magnet (R•O•M Part # R03348 or any strong magnet) to the door ajar switch where the lift bar rests when the door is closed. When the door is open the compartment light should be illuminated. Therefore, when the magnet makes contact with the door ajar switch the light should turn off. If the compartment light remains on when the magnet makes contact with the door ajar switch, reverse the white and orange wire connections, and repeat the above procedure. If proper operation is still not achieved, re-check the wiring connections for proper wiring.

Optional Output

The new switch design has a single output that can be split to provide power to both compartment lights and a door ajar indicator light in the cab of the vehicle. If you have multiple indicator lights in the cab that show which door is open, the new design will work with no additional components or modifications. This can be performed using the black wire with white strip wired directly to the light; unless the current draw is more than a 1/2 amp then it will be necessary to use this wire to provide a controlled ground for an optional relay or electronic control provided by user.

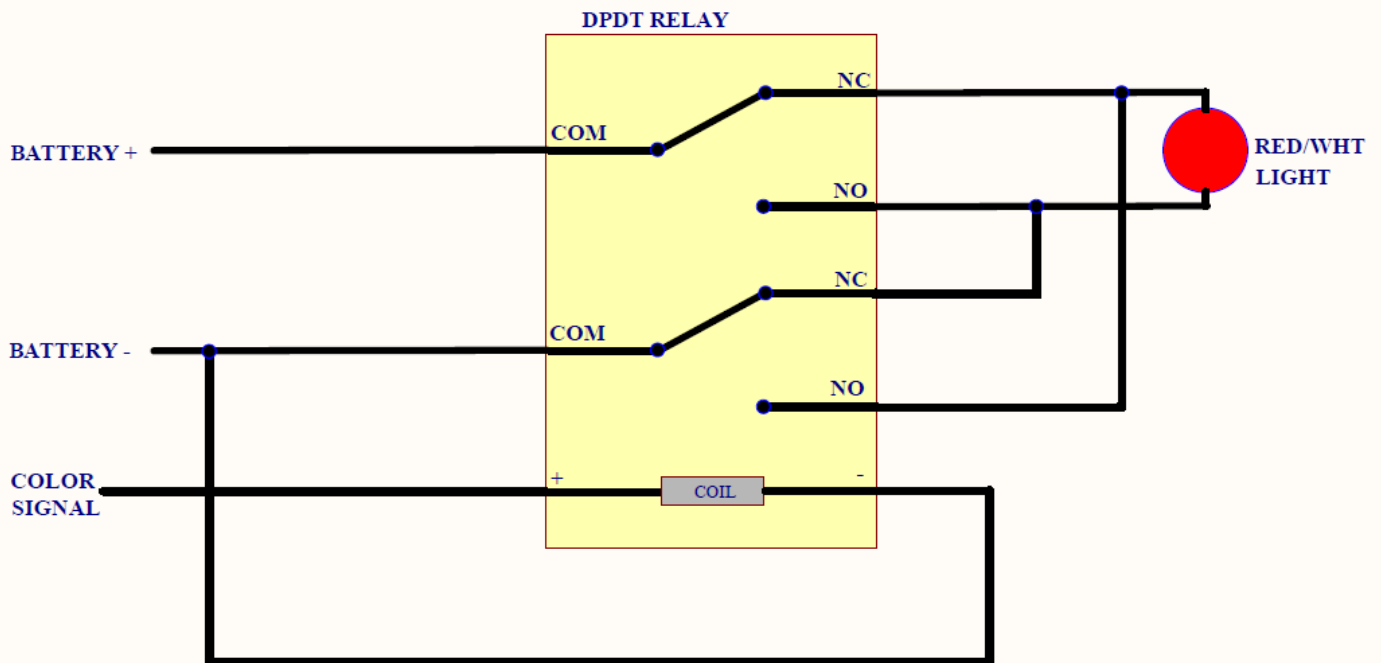
DUROSTRIP™ V5 LED Lightbar Installation Instructions

Red / White DuroStrip™ Wiring Option:

The Red / White DuroStrip™ LEDs change color based on the polarity of the current supplied.

Normal polarity will produce white light, and reverse polarity will produce colored light.

You can use a DPDT relay to control this. This is the suggested wiring layout in this case:



Note: Color signal switch and relay are not provided by R•O•M.

The drawings & the information contained herein are the confidential & proprietary intellectual property of R•O•M and should not be disclosed to any third party without the express prior written consent of R•O•M.