



*Excellence made to order.*

# R4 & R4-ITF PLATFORMS LADDERS & CARRIERS

## PARTS MANUAL

FM-7.5-273  
Rev A  
01-19-11

**R•O•M Corporation**  
6800 East 163<sup>rd</sup> Street  
Belton, Missouri 64012

[www.romcorp.com](http://www.romcorp.com)  
[sales@romcorp.com](mailto:sales@romcorp.com)

**Toll: 800-827-3692**  
Phone: 816-318-8000  
Fax: 816-318-8100

***CONTENTS***

**R4 PLATFORMS**

PLATFORM – MODEL R4 (R02900) -----	1
PLATFORM – MODEL R4-ITF (R02893) -----	2
PLATFORM – MODEL R4-ITF GIRDER ASSEMBLY (R02894) -----	3
40-1/2" PLANK for R4-ITF PLATFORM (R02938) -----	4
41" PLANK for R4 & R4-ITF PLATFORM (R02524) -----	5
47-3/4" PLANK for R4 & R4-ITF PLATFORM (R01904) -----	6
59-3/4" PLANK for R4 & R4-ITF PLATFORM (R01819) -----	7

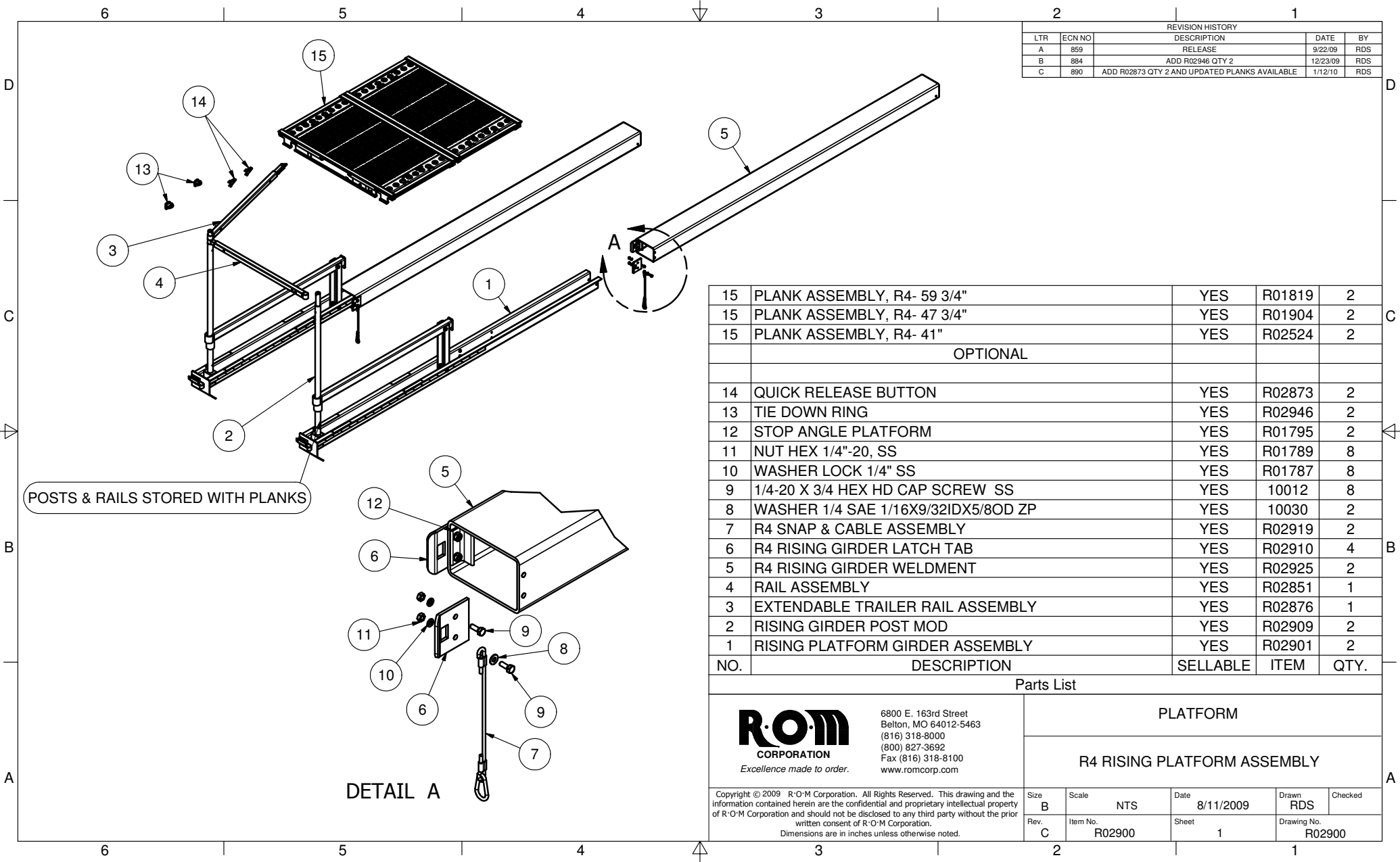
**LADDERS**

SIDESTEP™ LADDER (R02161) -----	8
---------------------------------	---

**CARRIER**

48" PLATFORM CARRIER (R02130) -----	9
60" PLATFORM CARRIER (R01855) -----	10
SIDESTEP™ LADDER CARRIER (R02062) -----	11
SIDESTEP™ LADDER CARRIER DOOR ASSEMBLY (R02064) -----	12
TRI-CARRIER COMBO (R02607) -----	13


# PLATFORM - MODEL R4



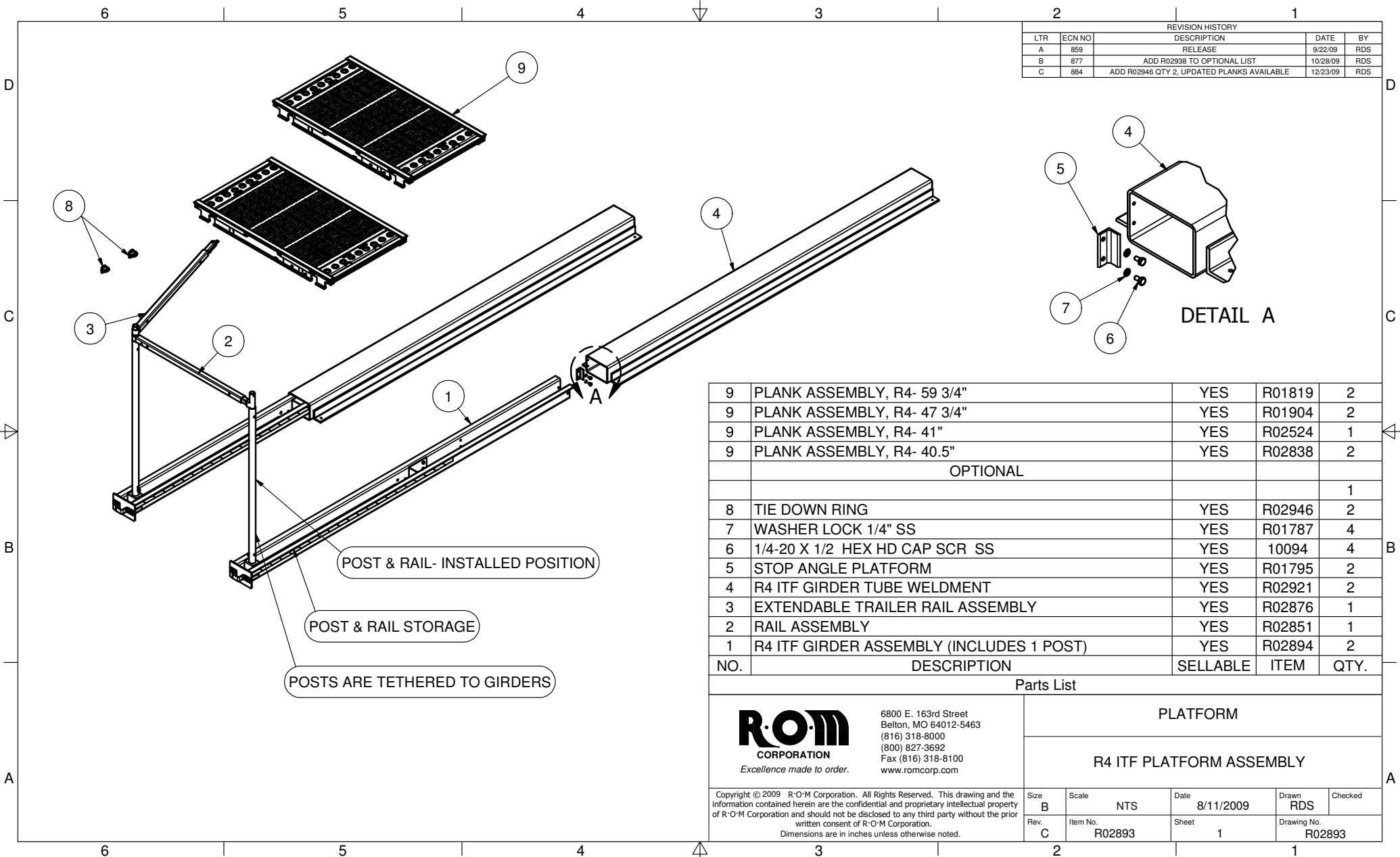
REVISION HISTORY				
LTR	ECN NO	DESCRIPTION	DATE	BY
A	859	RELEASE	9/22/09	RDS
B	884	ADD R02946 QTY 2	12/23/09	RDS
C	890	ADD R02873 QTY 2 AND UPDATED PLANKS AVAILABLE	1/12/10	RDS

15	PLANK ASSEMBLY, R4- 59 3/4"	YES	R01819	2
15	PLANK ASSEMBLY, R4- 47 3/4"	YES	R01904	2
15	PLANK ASSEMBLY, R4- 41"	YES	R02524	2
OPTIONAL				
14	QUICK RELEASE BUTTON	YES	R02873	2
13	TIE DOWN RING	YES	R02946	2
12	STOP ANGLE PLATFORM	YES	R01795	2
11	NUT HEX 1/4"-20, SS	YES	R01789	8
10	WASHER LOCK 1/4" SS	YES	R01787	8
9	1/4-20 X 3/4 HEX HD CAP SCREW SS	YES	10012	8
8	WASHER 1/4 SAE 1/16X9/32IDX5/8OD ZP	YES	10030	2
7	R4 SNAP & CABLE ASSEMBLY	YES	R02919	2
6	R4 RISING GIRDER LATCH TAB	YES	R02910	4
5	R4 RISING GIRDER WELDMENT	YES	R02925	2
4	RAIL ASSEMBLY	YES	R02851	1
3	EXTENDABLE TRAILER RAIL ASSEMBLY	YES	R02876	1
2	RISING GIRDER POST MOD	YES	R02909	2
1	RISING PLATFORM GIRDER ASSEMBLY	YES	R02901	2
NO.	DESCRIPTION	SELLABLE	ITEM	QTY.

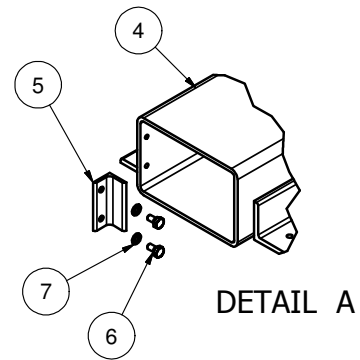
Parts List

 <p>6800 E. 163rd Street Belton, MO 64012-5463 (816) 318-8000 (800) 827-3692 Fax (816) 318-8100 www.romcorp.com</p> <p>Excellence made to order.</p>	PLATFORM				
	R4 RISING PLATFORM ASSEMBLY				
Copyright © 2009 R-O-M Corporation. All Rights Reserved. This drawing and the information contained herein are the confidential and proprietary intellectual property of R-O-M Corporation and should not be disclosed to any third party without the prior written consent of R-O-M Corporation. Dimensions are in inches unless otherwise noted.	Size B	Scale NTS	Date 8/11/2009	Drawn RDS	Checked
	Rev. C	Item No. R02900	Sheet 1	Drawing No. R02900	

# PLATFORM - MODEL R4-ITF




REVISION HISTORY				
LTR	ECN NO	DESCRIPTION	DATE	BY
A	859	RELEASE	9/22/09	RDS
B	877	ADD R02938 TO OPTIONAL LIST	10/28/09	RDS
C	884	ADD R02946 QTY 2, UPDATED PLANKS AVAILABLE	12/23/09	RDS



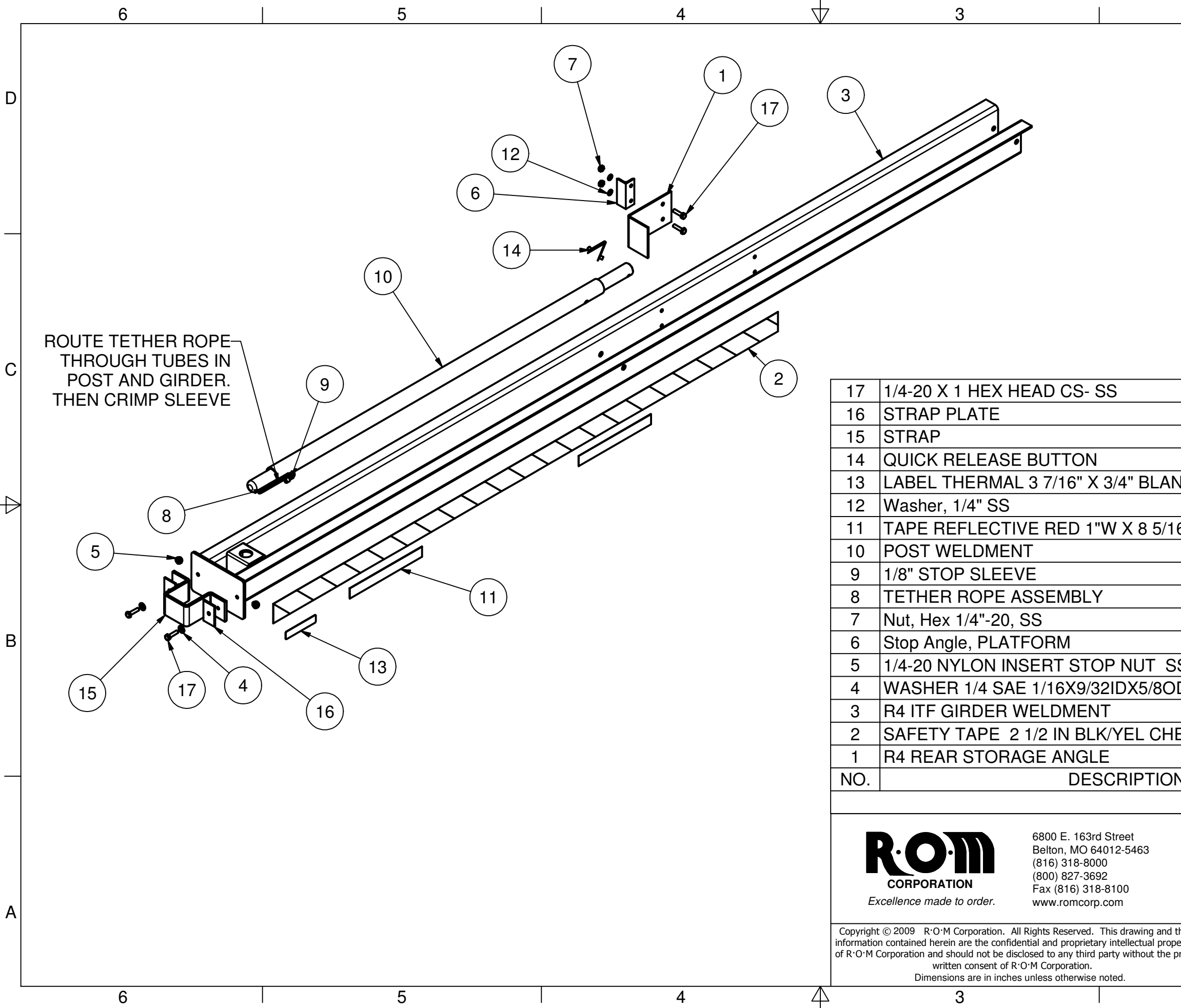
9	PLANK ASSEMBLY, R4- 59 3/4"	YES	R01819	2
9	PLANK ASSEMBLY, R4- 47 3/4"	YES	R01904	2
9	PLANK ASSEMBLY, R4- 41"	YES	R02524	1
9	PLANK ASSEMBLY, R4- 40.5"	YES	R02838	2
OPTIONAL				
				1
8	TIE DOWN RING	YES	R02946	2
7	WASHER LOCK 1/4" SS	YES	R01787	4
6	1/4-20 X 1/2 HEX HD CAP SCR SS	YES	10094	4
5	STOP ANGLE PLATFORM	YES	R01795	2
4	R4 ITF GIRDER TUBE WELDMENT	YES	R02921	2
3	EXTENDABLE TRAILER RAIL ASSEMBLY	YES	R02876	1
2	RAIL ASSEMBLY	YES	R02851	1
1	R4 ITF GIRDER ASSEMBLY (INCLUDES 1 POST)	YES	R02894	2
NO.	DESCRIPTION	SELLABLE	ITEM	QTY.

Parts List


 <p>6800 E. 163rd Street Belton, MO 64012-5463 (816) 318-8000 (800) 827-3692 Fax (816) 318-8100 www.romcorp.com</p>	PLATFORM				
	R4 ITF PLATFORM ASSEMBLY				
Copyright © 2009 R-O-M Corporation. All Rights Reserved. This drawing and the information contained herein are the confidential and proprietary intellectual property of R-O-M Corporation and should not be disclosed to any third party without the prior written consent of R-O-M Corporation. Dimensions are in inches unless otherwise noted.	Size B	Scale NTS	Date 8/11/2009	Drawn RDS	Checked
	Rev. C	Item No. R02893	Sheet 1	Drawing No. R02893	

# MODEL R4-ITF GIRDER ASSEMBLY

REVISION HISTORY				
LTR	ECN NO	DESCRIPTION	DATE	BY
A	859	RELEASE	9/21/09	RDS
B	890	ADD R02873 QTY 1	1/12/10	RDS
C	963	DELETE R02255 & 10012, ADD R00692 QTY 1, R03223 QTY 2, & R00268 QTY 4	1/10/11	RDS

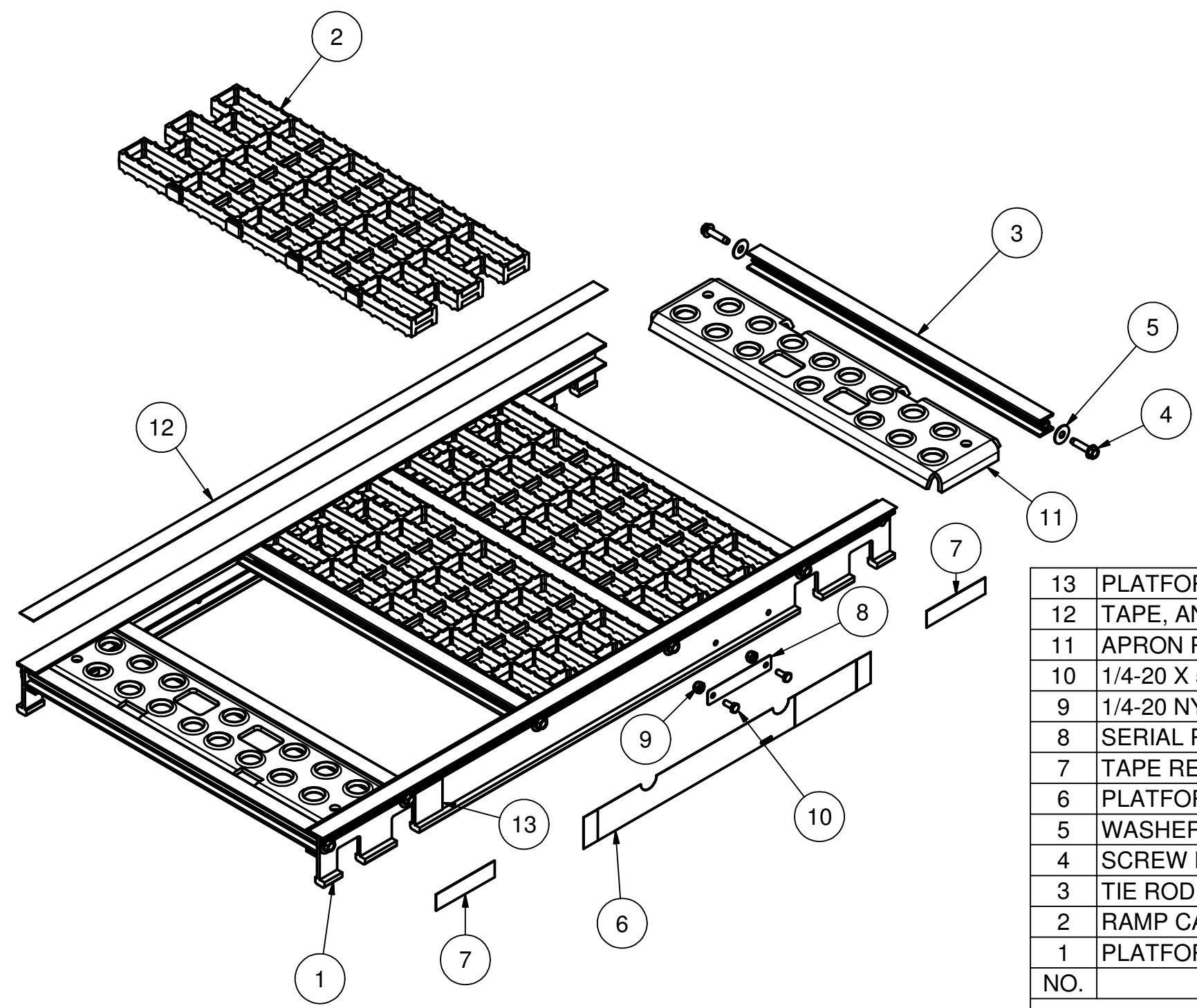


17	1/4-20 X 1 HEX HEAD CS- SS	YES	R00268	4
16	STRAP PLATE	YES	R03223	2
15	STRAP	YES	R02891	1
14	QUICK RELEASE BUTTON	YES	R02873	1
13	LABEL THERMAL 3 7/16" X 3/4" BLANK	NO	R01906	1
12	Washer, 1/4" SS	YES	R01788	2
11	TAPE REFLECTIVE RED 1"W X 8 5/16"L	YES	R01324	4
10	POST WELDMENT	YES	R02860	1
9	1/8" STOP SLEEVE	YES	R02867	1
8	TETHER ROPE ASSEMBLY	YES	R02866	1
7	Nut, Hex 1/4"-20, SS	YES	R01789	2
6	Stop Angle, PLATFORM	YES	R01795	1
5	1/4-20 NYLON INSERT STOP NUT SS	YES	14008	2
4	WASHER 1/4 SAE 1/16X9/32IDX5/8OD ZP	YES	10030	2
3	R4 ITF GIRDER WELDMENT	YES	R02896	1
2	SAFETY TAPE 2 1/2 IN BLK/YEL CHEVRON	YES	R02259	9.7 FT
1	R4 REAR STORAGE ANGLE	YES	R02895	1
NO.	DESCRIPTION	SELLABLE	ITEM	QTY.

Parts List				
 <p>6800 E. 163rd Street Belton, MO 64012-5463 (816) 318-8000 (800) 827-3692 Fax (816) 318-8100 www.romcorp.com</p> <p>Excellence made to order.</p>	R4 PLATFORM			
	R4 ITF GIRDER ASSEMBLY			
Copyright © 2009 R·O·M Corporation. All Rights Reserved. This drawing and the information contained herein are the confidential and proprietary intellectual property of R·O·M Corporation and should not be disclosed to any third party without the prior written consent of R·O·M Corporation. Dimensions are in inches unless otherwise noted.	Size B	Scale NTS	Date 8/20/2009	Drawn RDS
	Rev. C	Item No. R02894	Sheet 1	Checked RDS
			Drawing No. R02894	


# 40-1/2" PLANK ASSEMBLY for R4-ITF PLATFORMS

REVISION HISTORY				
LTR	ECN NO	DESCRIPTION	DATE	BY
A	877	RELEASE	10/26/09	RDS
B	885	ADD R02947 QTY 2	12/30/09	RDS



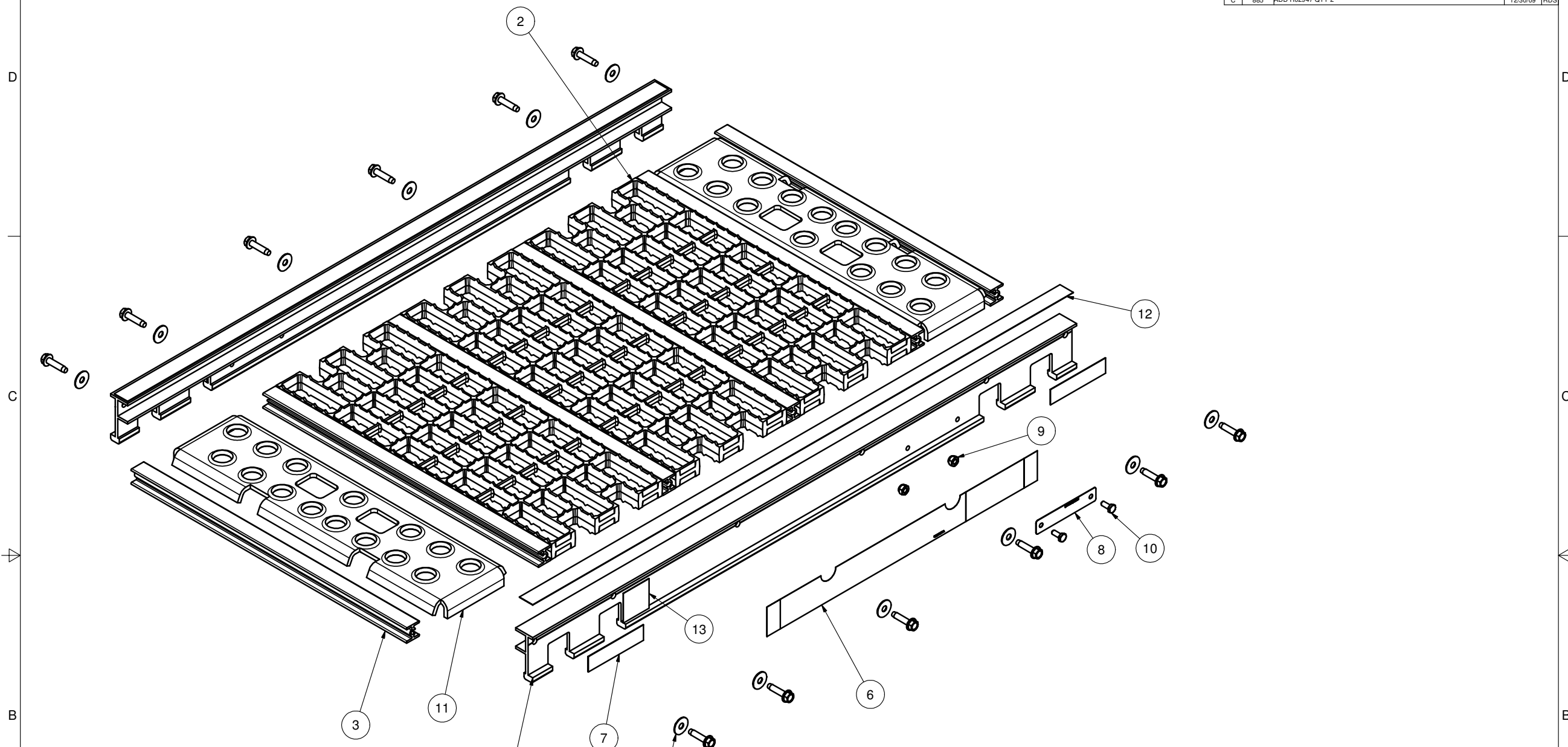
13	PLATFORM LABEL, 2000 LBS	YES	R02947	2
12	TAPE, ANTI-SKID, 1" WIDE	YES	R01700	6.75 FT
11	APRON PLATFORM- 40.5"	YES	R02940	2
10	1/4-20 X 5/8 HEX HD CAP SCREW SS	YES	R00462	2
9	1/4-20 NYLON INSERT STOP NUT SS	YES	14008	2
8	SERIAL PLATE W/SERIAL NO-RW	NO	R00590	1
7	TAPE REFLECTIVE RED 1"W X 8 5/16"L	YES	R01324	4
6	PLATFORM LABEL	YES	R02872	2
5	WASHER FENDER 5/16 X 1 X .052 TH ZP	YES	R00661	12
4	SCREW ROLOK 5/16-18X1 21/64 HWH ZP	YES	R00662	12
3	TIE ROD 20.75 OAL 21.875 RW	YES	R01230	6
2	RAMP CASTING MAG RMP OD 21 7/8"	YES	R01196	3
1	PLATFORM RAIL, MACHINED- 40.5"	YES	R02939	2
NO.	DESCRIPTION	SELLABLE	ITEM	QTY.

### Parts List

 Excellence made to order.	PLATFORM			
	PLANK ASSEMBLY- R4- 40.5"			
Copyright © 2009 R·O·M Corporation. All Rights Reserved. This drawing and the information contained herein are the confidential and proprietary intellectual property of R·O·M Corporation and should not be disclosed to any third party without the prior written consent of R·O·M Corporation. Dimensions are in inches unless otherwise noted.	Size B	Scale NTS	Date 9/30/2009	Drawn RDS
	Rev. B	Item No. R02938	Sheet 1	Drawing No. R02938


# 41" PLANK ASSEMBLY for R4 and R4-ITF PLATFORMS

REVISION HISTORY				
LTR	ECN NO	DESCRIPTION	DATE	BY
A	763	initial release	7/21/07	gww
B	859	DELETE R02259, R02872 WAS R01844	9/22/09	RDS
C	885	ADD R02947 QTY 2	12/30/09	RDS



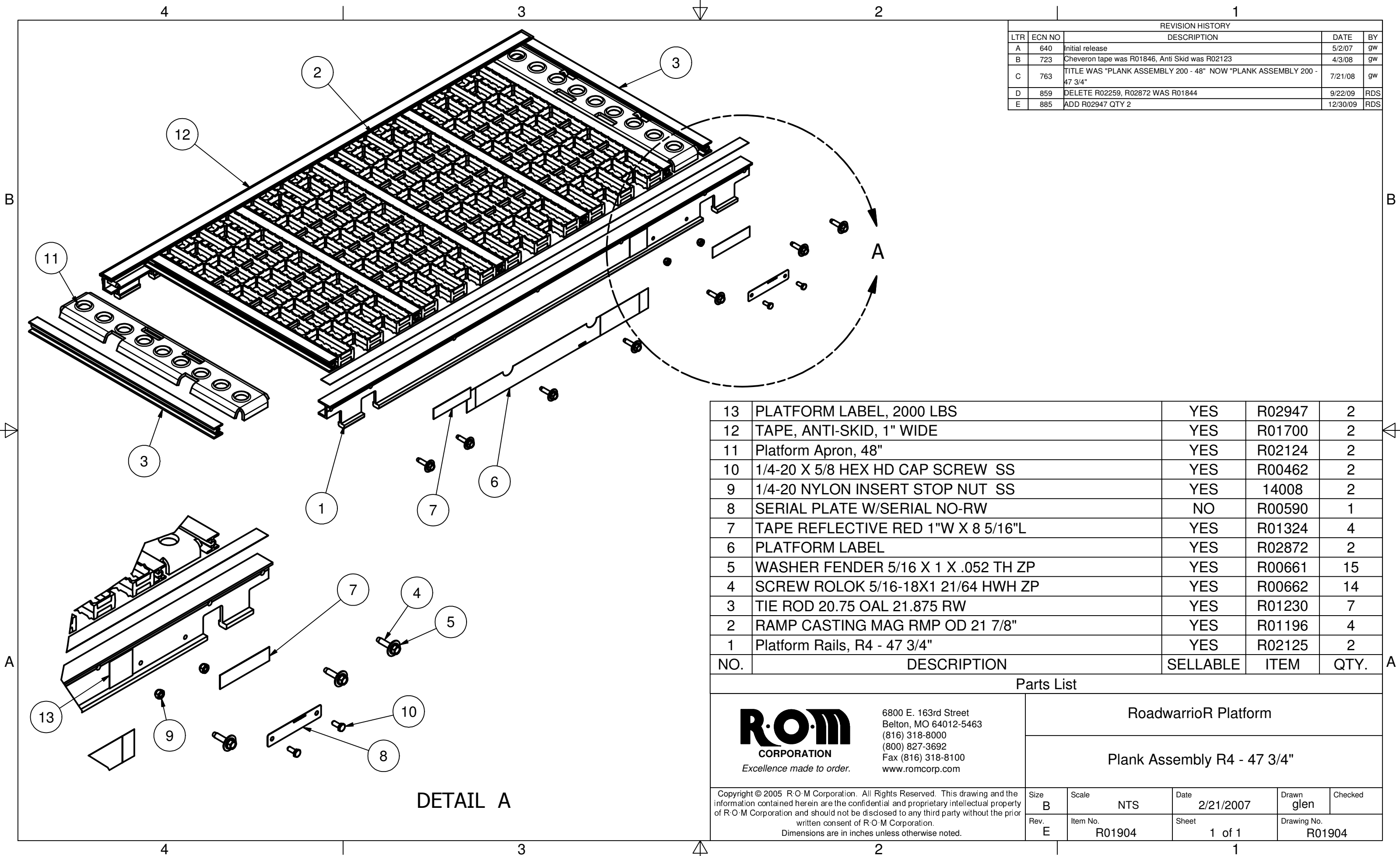
13	PLATFORM LABEL, 2000 LBS	YES	R02947	2
12	TAPE, ANTI-SKID, 1" WIDE	YES	R01700	6.9 ft
11	APRON FOR PLATFORM 4.267 WIDE	YES	R02208	2
10	1/4-20 X 5/8 HEX HD CAP SCREW SS	YES	R00462	2
9	1/4-20 NYLON INSERT STOP NUT SS	YES	14008	2
8	SERIAL PLATE W/SERIAL NO-RW	NO	R00590	1
7	TAPE REFLECTIVE RED 1"W X 8 5/16"L	YES	R01324	4
6	PLATFORM LABEL	YES	R02872	2
5	WASHER FENDER 5/16 X 1 X .052 TH ZP	YES	R00661	12
4	SCREW ROLOK 5/16-18X1 21/64 HWH ZP	YES	R00662	12
3	TIE ROD 20.75 OAL 21.875 RW	YES	R01230	6
2	RAMP CASTING MAG RMP OD 21 7/8"	YES	R01196	3
1	Platform Rails, Machined - R4 - 41"	YES	R02526	2
NO.	DESCRIPTION	SELLABLE	ITEM	QTY.

Parts List

 <p>6800 E. 163rd Street Belton, MO 64012-5463 (816) 318-8000 (800) 827-3692 Fax (816) 318-8100 www.romcorp.com</p>	Roadwarrior Platform				
	Plank Assembly - R4- 41"				
Copyright © 2008 R-O-M Corporation. All Rights Reserved. This drawing and the information contained herein are the confidential and proprietary intellectual property of R-O-M Corporation and should not be disclosed to any third party without the prior written consent of R-O-M Corporation. Dimensions are in inches unless otherwise noted.	Size C	Scale NTS	Date 6/15/2007	Drawn glen	Checked
	Rev.	Item No. R02524	Sheet 1 of 1	Drawing No. R02524	


# 47-3/4" PLANK ASSEMBLY for R4 & R4-ITF PLATFORMS

REVISION HISTORY				
LTR	ECN NO	DESCRIPTION	DATE	BY
A	640	Initial release	5/2/07	gw
B	723	Cheveron tape was R01846, Anti Skid was R02123	4/3/08	gw
C	763	TITLE WAS "PLANK ASSEMBLY 200 - 48" NOW "PLANK ASSEMBLY 200 - 47 3/4"	7/21/08	gw
D	859	DELETE R02259, R02872 WAS R01844	9/22/09	RDS
E	885	ADD R02947 QTY 2	12/30/09	RDS



NO.	DESCRIPTION	SELLABLE	ITEM	QTY.
13	PLATFORM LABEL, 2000 LBS	YES	R02947	2
12	TAPE, ANTI-SKID, 1" WIDE	YES	R01700	2
11	Platform Apron, 48"	YES	R02124	2
10	1/4-20 X 5/8 HEX HD CAP SCREW SS	YES	R00462	2
9	1/4-20 NYLON INSERT STOP NUT SS	YES	14008	2
8	SERIAL PLATE W/SERIAL NO-RW	NO	R00590	1
7	TAPE REFLECTIVE RED 1"W X 8 5/16"L	YES	R01324	4
6	PLATFORM LABEL	YES	R02872	2
5	WASHER FENDER 5/16 X 1 X .052 TH ZP	YES	R00661	15
4	SCREW ROLOK 5/16-18X1 21/64 HWH ZP	YES	R00662	14
3	TIE ROD 20.75 OAL 21.875 RW	YES	R01230	7
2	RAMP CASTING MAG RMP OD 21 7/8"	YES	R01196	4
1	Platform Rails, R4 - 47 3/4"	YES	R02125	2

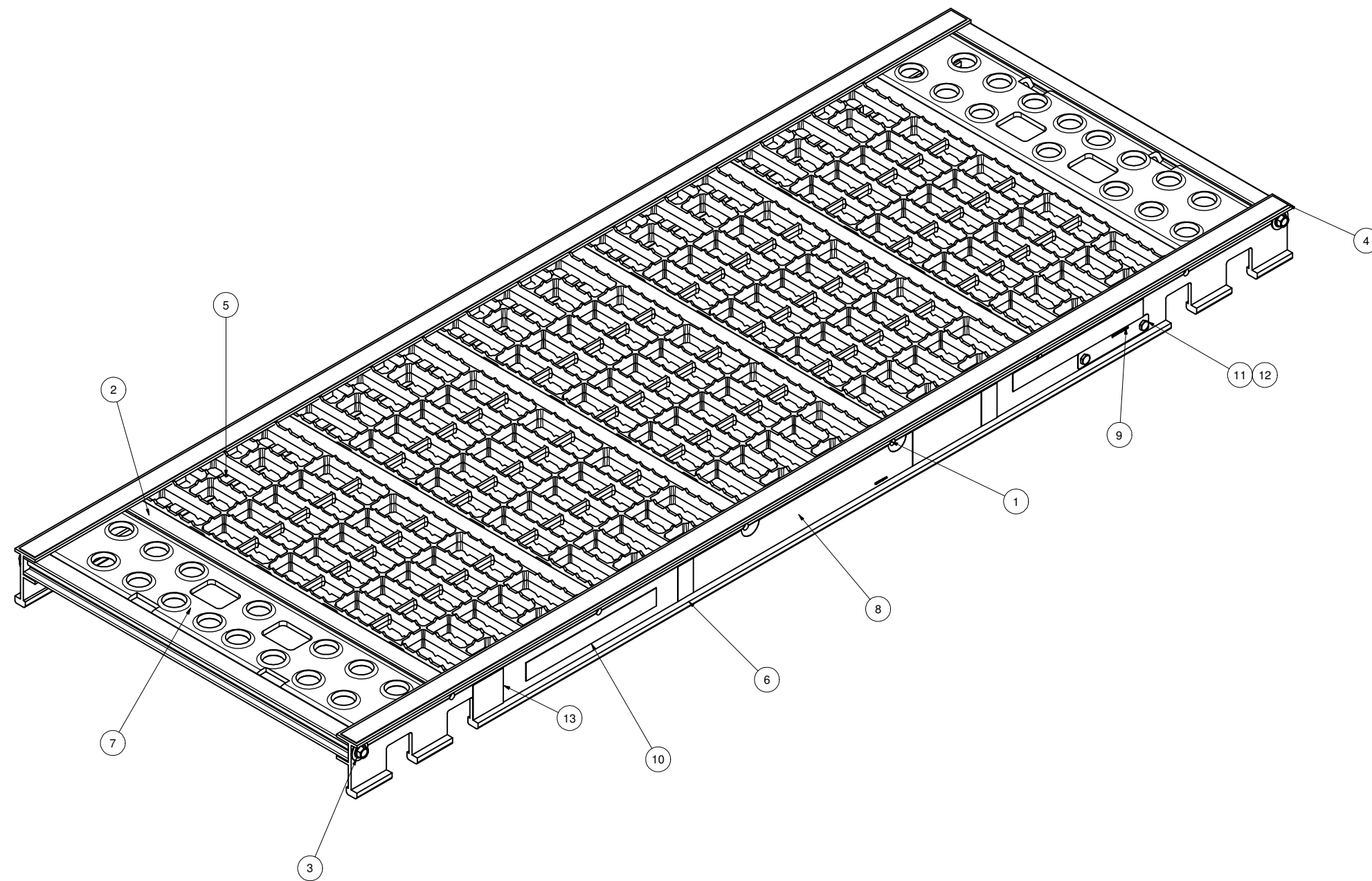
### Parts List

 <p>6800 E. 163rd Street Belton, MO 64012-5463 (816) 318-8000 (800) 827-3692 Fax (816) 318-8100 www.romcorp.com</p> <p>Excellence made to order.</p>	RoadwarriorR Platform			
	Plank Assembly R4 - 47 3/4"			
Copyright © 2005 R-O-M Corporation. All Rights Reserved. This drawing and the information contained herein are the confidential and proprietary intellectual property of R-O-M Corporation and should not be disclosed to any third party without the prior written consent of R-O-M Corporation. Dimensions are in inches unless otherwise noted.	Size B	Scale NTS	Date 2/21/2007	Drawn glen
	Rev. E	Item No. R01904	Sheet 1 of 1	Checked glen
			Drawing No. R01904	


DETAIL A

# 59-3/4" PLANK ASSEMBLY for R4 & R4-ITF PLATFORMS

REVISION HISTORY				
LTR	ECN NO	DESCRIPTION	DATE	BY
F	809	REVISED APRON OPTION	2/12/09	ARLA
G	859	DELETE R02259, R02872 WAS R01844	9/22/09	RDS
H	885	ADD R02847 QTY 2	12/30/09	RDS



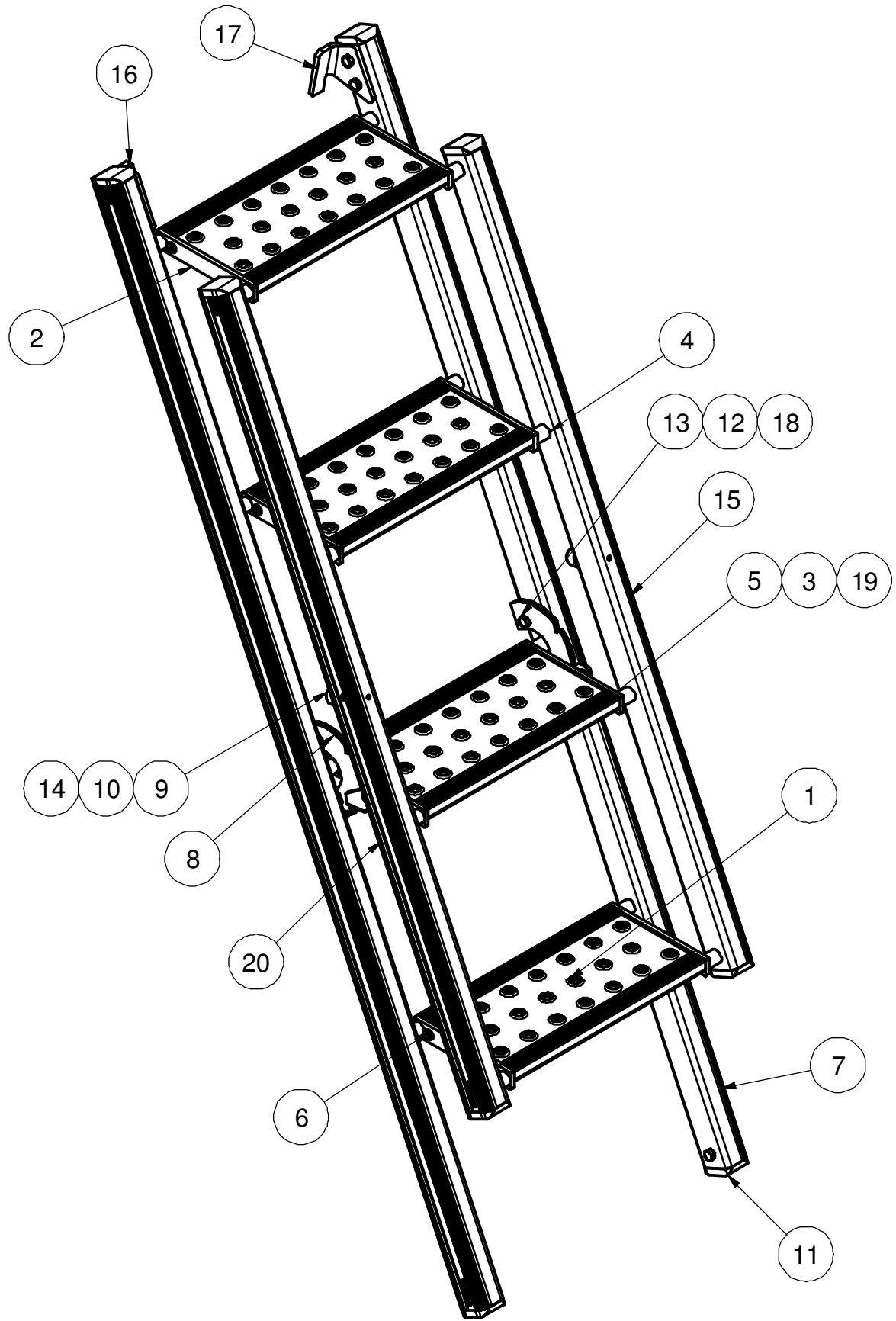
ITEM	DESCRIPTION	SELLABLE	PART	QTY
13	PLATFORM LABEL, 2000 LBS	YES	R02947	2
12	1/4-20 NYLON INSERT STOP NUT SS	YES	14008	2
11	1/4-20 X 5/8 HEX HD CAP SCREW SS	YES	R00462	2
10	TAPE REFLECTIVE RED 1"W X 8 5/16"L	YES	R01324	4
9	SERIAL PLATE W/SERIAL NO-RW	NO	R00590	1
8	PLATFORM LABEL	YES	R02872	2
7	APRON FOR PLATFORM 4.267 WIDE	YES	R02208	2
6	RAMP CASTING MAG RMP OD 21 7/8"	YES	R01196	5
5	PLATFORM RAIL R4 - 59 3/4"	YES	R01809	2
4	TAPE ANTI-SKID 1" WIDE (59 1/2")	YES	R01700	10'
3	WASHER FENDER 5/16 X 1 X .052 TH ZP	YES	R00661	16
2	SCREW ROLOK 5/16-18X1 21/64 HWH ZP	YES	R00662	16
1	TIE ROD 20.75 OAL 21.875 RW	YES	R01230	8

Parts List					
 <p>6800 E. 163rd Street Belton, MO 64012-5463 (816) 318-8000 (800) 827-3692 Fax (816) 318-8100 www.romcorp.com</p>		PLATFORM			
		PLANK ASSY R4 - 59 3/4"			
Size	Scale	Date	Drawn	Checked	
D	NTS	2/11/2009	ARLA		
Rev	Item No.	Sheet	Drawing No.		
H	R01819	1	R01819		

Copyright © 2009 R-O-M Corporation. All Rights Reserved. This drawing and the information contained herein are the confidential and proprietary intellectual property of R-O-M Corporation and should not be disclosed to any third party without the prior written consent of R-O-M Corporation. Dimensions are in inches unless otherwise noted.

# SIDESTEP LADDER

REVISION HISTORY				
LTR	ECN NO	DESCRIPTION	DATE	BY
A	N/A	PART CREATION	6/7/2007	BAM
B	N/A	MOVED PIVOT STEP ASSY TO 3RD DOWN	7/18/2007	BAM
C	674	CHANGED NAME IN TITLE BLOCK	10/10/2007	BAM
D	759	CHANGED LADDER HOOK	07/11/08	BAM



22	LABEL PLATFORM LADDER, WARNING		R02148	2
21	DECAL, PINCH POINT		R01847	2
20	LADDER PIVOT STEP HANDLE ASSY		R02190	1
19	LADDER THR ROD WELDMENT		R02189	8
18	NUT FLANGED NYLOCK 5/16-18		R02186	18
17	LADDER HOOK LOW PROFILE LH		R02515	1
16	LADDER HOOK LOW PROFILE RH		R02516	1
15	LADDER UPRIGHT EXT SHORT CUT		R02166	2
14	10-32 NYLON INSERT STOP NUT ZP		10036	2
13	HEX BOLT 5/16-18 X 1.25" OAL		R00610	10
12	LADDER RATCHET SPACER		R02184	4
11	LADDER END CAP		R02183	8
10	MACHINE SCREW 10-32 X 1" OAL		R02182	2
9	LADDER BUMPER		R02181	2
8	LADDER RATCHET HOLDBACK ZP		R02177	4
7	LADDER UPRIGHT EXT LONG CUT		R02165	2
6	THREAD CUTTING SCREW 1/4 x 1		R02173	16
5	LADDER TIE ROD EXT CUT TO LENGTH		R02164	8
4	LADDER TUBE SPACER		R02172	16
3	LADDER TUBE BUSHING		R02169	8
2	LADDER STAIR PLATE		R02176	6
1	LADDER TREAD		R02167	4

NO.	DESCRIPTION	SELLABLE	ITEM	QTY.
-----	-------------	----------	------	------

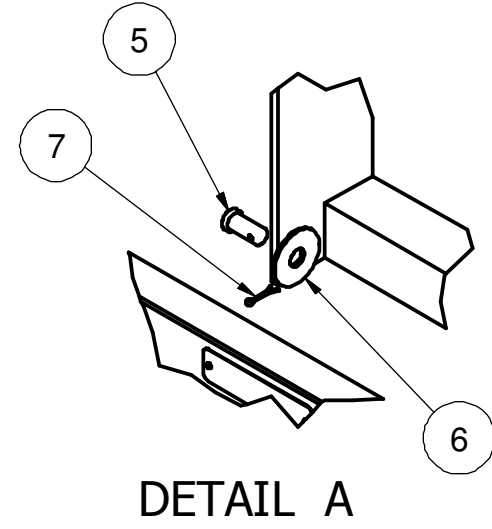
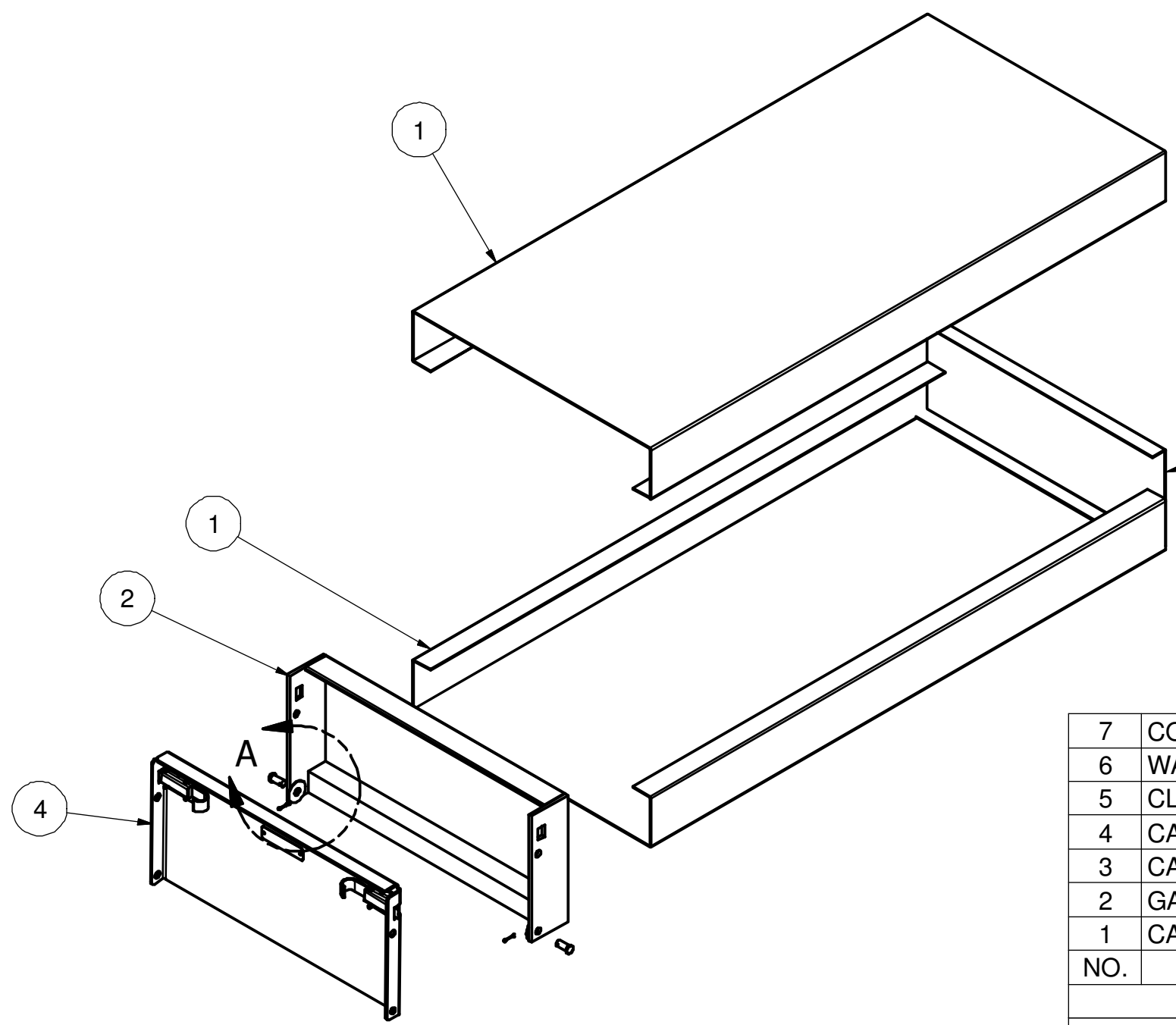
### Parts List

 <p>6800 E. 163rd Street Belton, MO 64012-5463 (816) 318-8000 (800) 827-3692 Fax (816) 318-8100 www.romcorp.com</p> <p>Excellence made to order.</p>	SIDESTEP LADDER			
	LADDER ASSY			


Copyright © 2006 R·O·M Corporation. All Rights Reserved. This drawing and the information contained herein are the confidential and proprietary intellectual property of R·O·M Corporation and should not be disclosed to any third party without the prior written consent of R·O·M Corporation. Dimensions are in inches unless otherwise noted.				
Size	Scale	Date	Drawn	Checked
B	NTS	6/7/2007	BAM	
Rev.	Item No.	Sheet	Drawing No.	
D	R02161	1	R02161	

# 48" PLATFORM CARRIER

REVISION HISTORY				
LTR	ECN NO	DESCRIPTION	DATE	BY
A	640	INITIAL RELEASE	5/2/07	GW

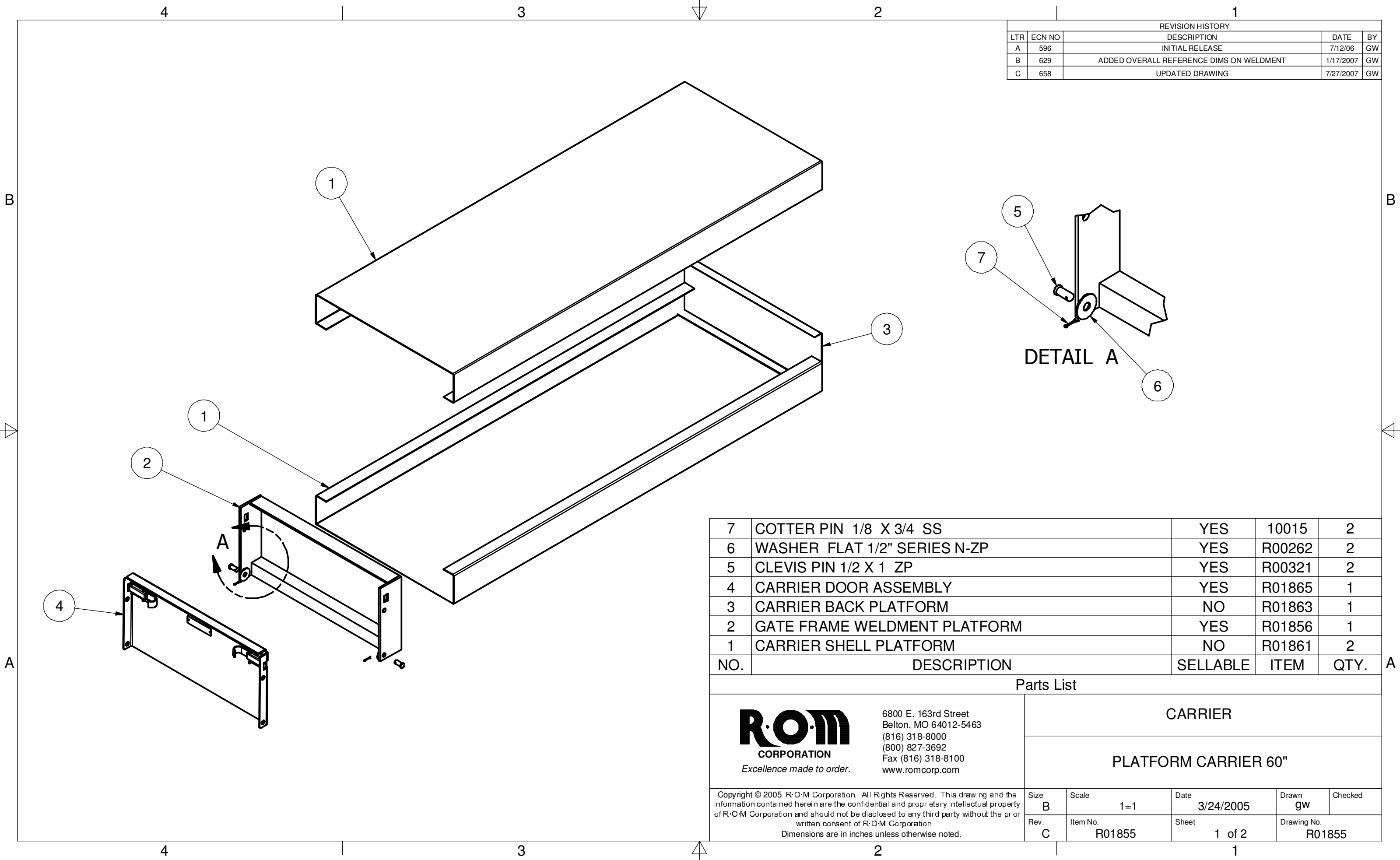


NO.	DESCRIPTION	SELLABLE	ITEM	QTY.
7	COTTER PIN 1/8 X 3/4 SS	YES	10015	2
6	WASHER FLAT 1/2" SERIES N-ZP	YES	R00262	2
5	CLEVIS PIN 1/2 X 1 ZP	YES	R00321	2
4	CARRIER DOOR ASSEMBLY	YES	R01865	1
3	CARRIER BACK PLATFORM	NO	R01863	1
2	GATE FRAME WELDMENT PLATFORM	YES	R01856	1
1	CARRIER SHELL PLATFORM 48"	NO	R02131	2

Parts List				
 Excellence made to order.	6800 E. 163rd Street Belton, MO 64012-5463 (816) 318-8000 (800) 827-3692 Fax (816) 318-8100 www.romcorp.com		<b>CARRIER</b>	
			<b>CARRIER PLATFORM 48"</b>	
Copyright © 2005 R·O·M Corporation. All Rights Reserved. This drawing and the information contained herein are the confidential and proprietary intellectual property of R·O·M Corporation and should not be disclosed to any third party without the prior written consent of R·O·M Corporation. Dimensions are in inches unless otherwise noted.	Size <b>B</b> Rev. <b>A</b>	Scale <b>1=1</b> Item No. <b>R02130</b>	Date <b>3/24/2005</b> Sheet <b>1 of 2</b>	Drawn <b>gw</b> Drawing No. <b>R02130</b>


# 60" PLATFORM CARRIER

REVISION HISTORY				
LTR	ECN NO	DESCRIPTION	DATE	BY
A	596	INITIAL RELEASE	7/12/06	GW
B	629	ADDED OVERALL REFERENCE DIMS ON WELDMENT	1/17/2007	GW
C	658	UPDATED DRAWING	7/27/2007	GW



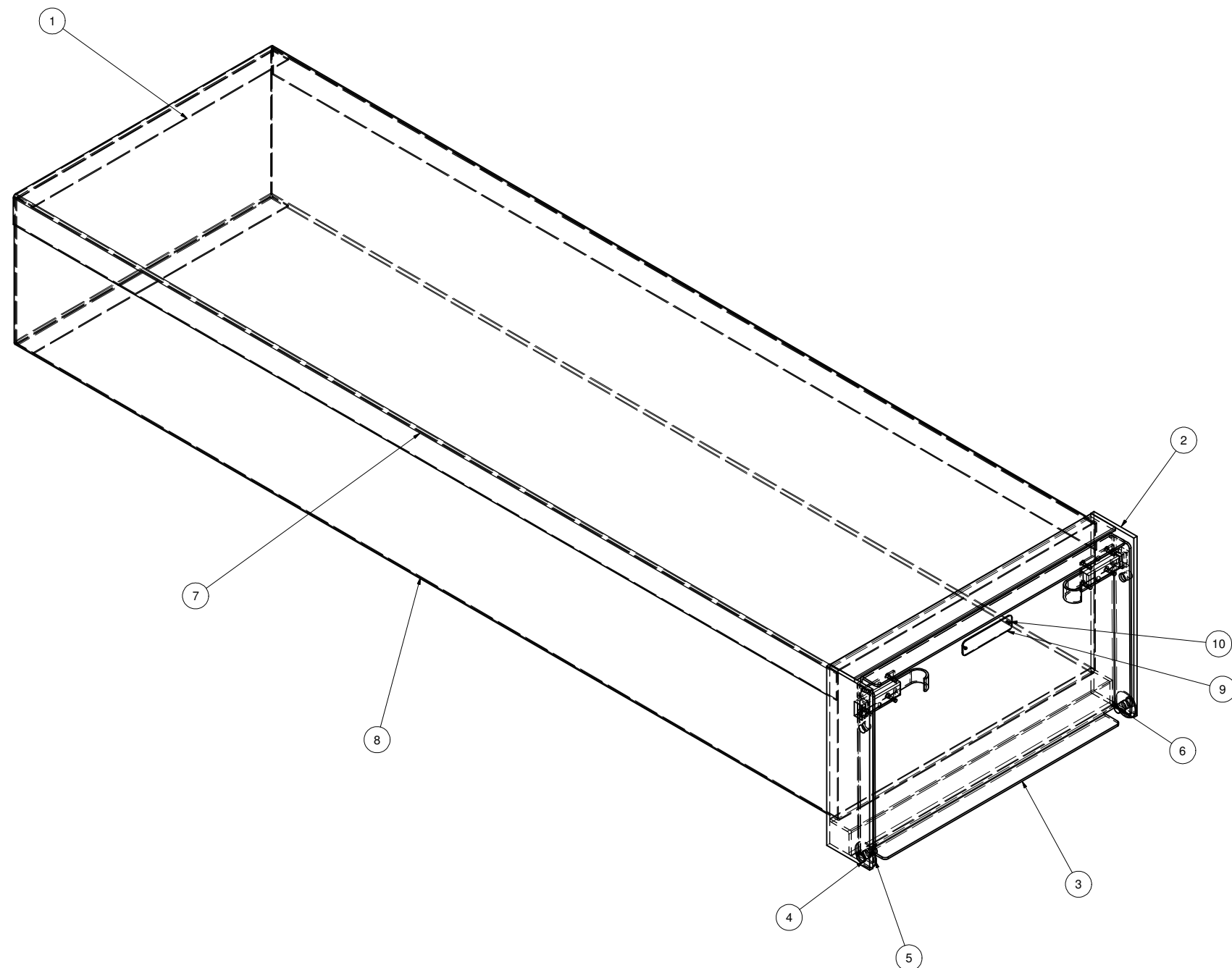
7	COTTER PIN 1/8 X 3/4 SS	YES	10015	2
6	WASHER FLAT 1/2" SERIES N-ZP	YES	R00262	2
5	CLEVIS PIN 1/2 X 1 ZP	YES	R00321	2
4	CARRIER DOOR ASSEMBLY	YES	R01865	1
3	CARRIER BACK PLATFORM	NO	R01863	1
2	GATE FRAME WELDMENT PLATFORM	YES	R01856	1
1	CARRIER SHELL PLATFORM	NO	R01861	2
NO.	DESCRIPTION	SELLABLE	ITEM	QTY.

**Parts List**

 Excellence made to order.	6800 E. 163rd Street Belton, MO 64012-5463 (816) 318-8000 (800) 827-3692 Fax (816) 318-8100 www.romcorp.com			
	<b>CARRIER</b>  <b>PLATFORM CARRIER 60"</b>			
Copyright © 2005 R·O·M Corporation. All Rights Reserved. This drawing and the information contained herein are the confidential and proprietary intellectual property of R·O·M Corporation and should not be disclosed to any third party without the prior written consent of R·O·M Corporation. Dimensions are in inches unless otherwise noted.	Size <b>B</b>	Scale <b>1=1</b>	Date <b>3/24/2005</b>	Drawn <b>gw</b>
	Rev. <b>C</b>	Item No. <b>R01855</b>	Sheet <b>1 of 2</b>	Drawing No. <b>R01855</b>

# SIDESTEP LADDER CARRIER

REVISION HISTORY				
LTR	ECN NO	DESCRIPTION	DATE	BY
A	666	PART CREATION	7/27/07	BAM
B	935	REMOVED SKID PLATES	8/31/10	BAM
C	959	UPDATED WITH 1/8" RADIUS MATERIALS	12/27/10	ARLA



CARRIER SIZE: 70" LONG X 21 3/4" WIDE X 12 5/8" HIGH

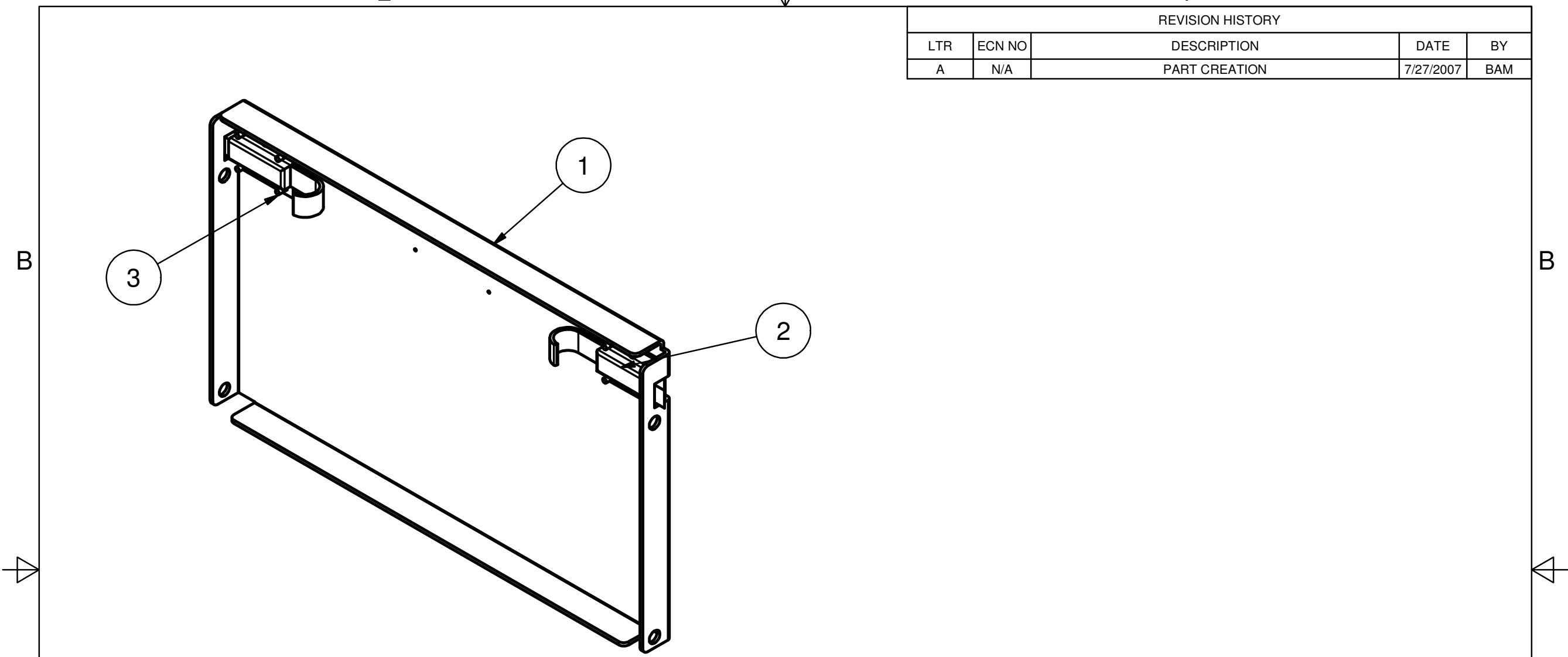
NO.	DESCRIPTION	SELLABLE	ITEM	QTY
10	U-SCREW DRIVE PIN #2 X 1/4 ZP	YES	10220	2
9	SERIAL PLATE	YES	21001	1
8	CARRIER SHELL BOTTOM LADDER	NO	R02069	1
7	CARRIER SHELL TOP LADDER	NO	R02070	1
6	COTTER PIN 1/8 X 3/4 SS	YES	10015	2
5	WASHER FLAT 1/2" SERIES N-ZP	YES	R00262	2
4	CLEVIS PIN 1/2 X 1 ZP	YES	R00321	2
3	CARRIER DOOR ASSY, LADDER	YES	R02064	1
2	GATE FRAME WELDMENT, LADDER	NO	R02068	1
1	CARRIER BACK LADDER	NO	R02071	1

Parts List									
<p>6800 E. 163rd Street Belton, MO 64012-5463 (816) 318-8000 (800) 827-3692 Fax (816) 318-8100 www.romcorp.com</p>		LADDER CARRIER							
		LADDER CARRIER							
Size	D	Scale	NTS	Date	7/27/2007	Drawn	BAM	Checked	
Rev.	C	Item No.	R02062	Sheet	2	Drawing No.	R02062		

Copyright © 2006 R-O-M Corporation. All Rights Reserved. This drawing and the information contained herein are the confidential and proprietary intellectual property of R-O-M Corporation and should not be disclosed to any third party without the prior written consent of R-O-M Corporation. Dimensions are in inches unless otherwise noted.


# SIDESTEP LADDER CARRIER - DOOR ASSEMBLY

REVISION HISTORY				
LTR	ECN NO	DESCRIPTION	DATE	BY
A	N/A	PART CREATION	7/27/2007	BAM



NO.	DESCRIPTION	SELLABLE	ITEM	QTY.
3	RIVET, 3/16 SS	YES	R00294	8
2	FINGER BOLT LATCH	YES	R00292	2
1	CARRIER END GATE, LADDER	NO	R02063	1

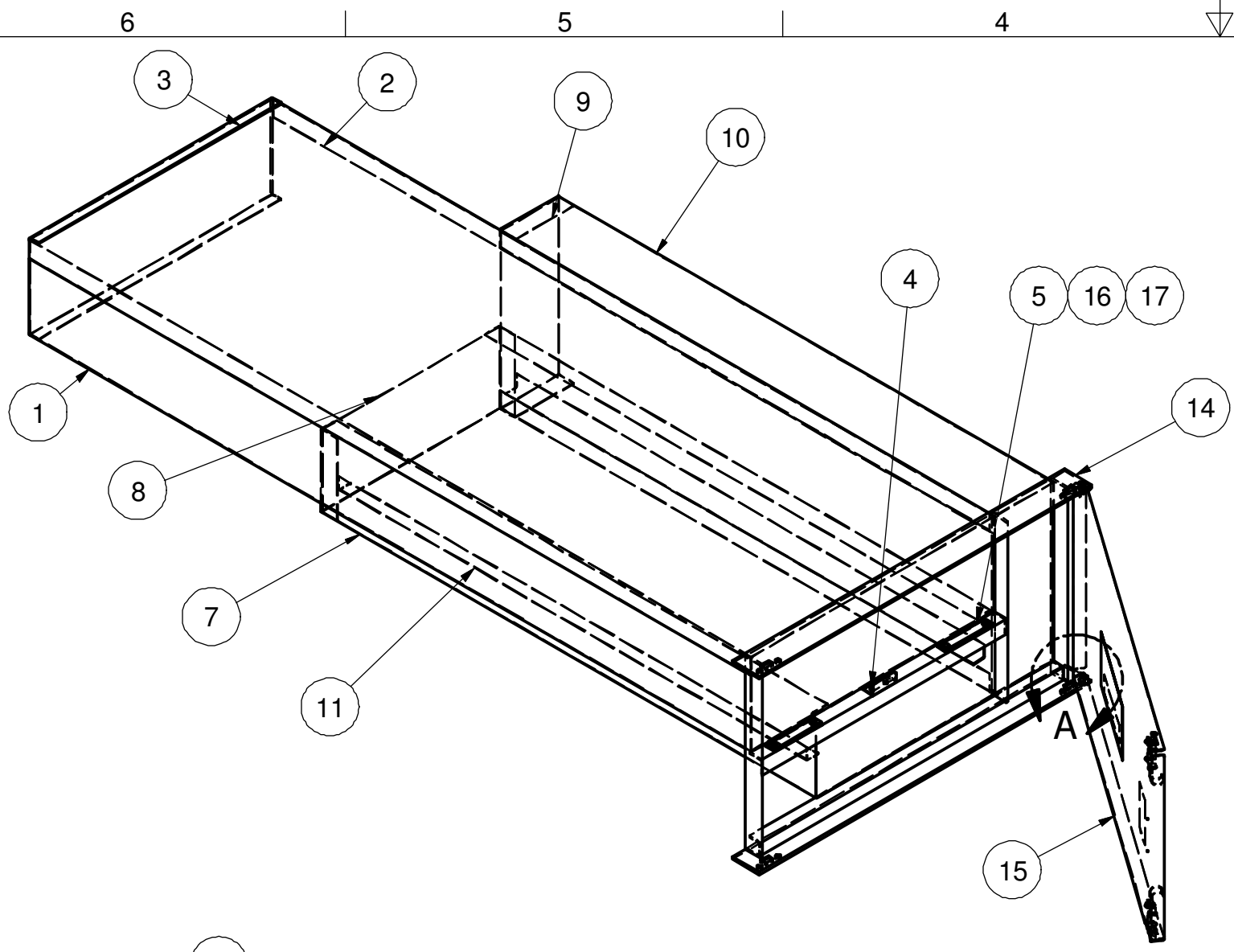
### Parts List

 <p style="font-size: small;">Excellence made to order.</p>	<p style="font-size: small;">6800 E. 163rd Street Belton, MO 64012-5463 (816) 318-8000 (800) 827-3692 Fax (816) 318-8100 www.romcorp.com</p>	CARRIER
		CARRIER DOOR ASSY, LADDER

Copyright © 2006 R-O-M Corporation. All Rights Reserved. This drawing and the information contained herein are the confidential and proprietary intellectual property of R-O-M Corporation and should not be disclosed to any third party without the prior written consent of R-O-M Corporation. Dimensions are in inches unless otherwise noted.				
Size	Scale	Date	Drawn	Checked
A	NTS	7/27/2007	BAM	
Rev.	Item No.	Sheet	Drawing No.	
A	R02064	1	R02064	

# TRI-CARRIER COMBO

REVISION HISTORY				
LTR	ECN NO	DESCRIPTION	DATE	BY
A	795	RELEASE	12/4/08	RDS



NO.	DESCRIPTION	SELLABLE	ITEM	QTY.
17	1/4-20 NYLON INSERT STOP NUT- SS	YES	14008	4
16	1/4-20 X 1 PHL MS- SS	YES	R00335	4
15	CARRIER DOOR ASSY COMBO	YES	R02613	1
14	GATE FRAME WELDMENT COMBO	NO	R02612	1
13	COTTER PIN 1/8 X 3/4 SS	YES	10015	2
12	CLEVIS PIN 1/2 X 1 ZP	YES	R00321	2
11	CARRIER DIVIDER ANGLE COMBO	NO	R02442	2
10	CARRIER LADDER COMBO	NO	R02438	1
9	CARRIER BACK LADDER COMBO	NO	R02439	1
8	CARRIER BACK PLANK COMBO	NO	R02441	1
7	CARRIER PLANK COMBO	NO	R02440	1
6	WASHER FLAT 1/2" SERIES N-ZP	YES	R00262	2
5	WEAR PAD CARRIER RW FOLDING RAMP	YES	R00252	2
4	END GATE STOP GROUP SK	NO	32101	1
3	END COVER RW FOLD RAMP CARRIER	NO	R00299	1
2	CARRIER SHELL TOP RW FLD RMP CA	NO	R00301	1
1	CARRIER SHELL BOTTOM RW FLD RMP CA	NO	R00300	1

### Parts List

<p style="font-size: small; margin: 0;">6800 E. 163rd Street Belton, MO 64012-5463 (816) 318-8000 (800) 827-3692 Fax (816) 318-8100 www.romcorp.com</p> <p style="font-size: x-small; margin: 0;">Excellence made to order.</p>	COMBO CARRIER			
	CARRIER ASSY COMBO			
Copyright © 2008 R·O·M Corporation. All Rights Reserved. This drawing and the information contained herein are the confidential and proprietary intellectual property of R·O·M Corporation and should not be disclosed to any third party without the prior written consent of R·O·M Corporation. Dimensions are in inches unless otherwise noted.	Size <b>B</b>	Scale <b>1/14</b>	Date <b>11/12/2008</b>	Drawn <b>RDS</b>
	Rev. <b>A</b>	Item No. <b>R02607</b>	Sheet <b>1</b>	Drawing No. <b>R02607</b>