



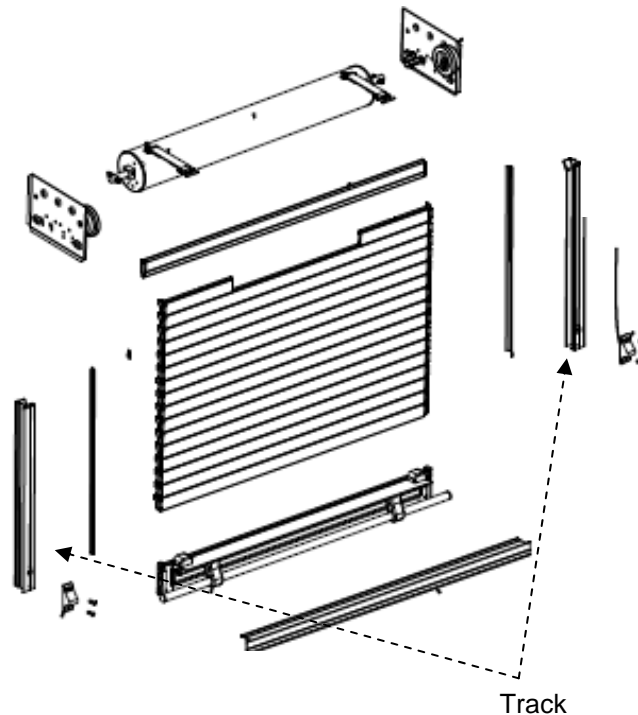
Technical Bulletin

Track Profile Reduction on Series III Roll-up Doors

Our Technical Bulletins are provided to inform you of design options, design improvements, standard sizes and changes, different models, applications, installation, operation and maintenance.

FM-7.2-270
Rev A
11-01-09

In response to recent customer surveys - effective January 1, 2010, the track for Series III Roll-up Doors will be reduced an additional 1/16" less than the door opening height. This reduction should allow for ease of installation.



Please provide this information to your engineering, manufacturing, sales and marketing departments, and to your dealers.

Copyright © 2009 R•O•M Corporation. All Rights Reserved.

These drawings and the information contained herein are the confidential and proprietary intellectual property of R•O•M Corporation and should not be disclosed to any third party without the express prior written consent of R•O•M Corporation.