



R•O•M  
EXTREME  
CARGO TRAY SERIES

PARTS  
MANUAL

FM-7.5-47  
Rev E  
06-04-10

**R•O•M Corporation**  
6800 East 163<sup>rd</sup> Street  
Belton, Missouri 64012

[www.romcorp.com](http://www.romcorp.com)  
[sales@romcorp.com](mailto:sales@romcorp.com)

**Toll: 800-827-3692**  
Phone: 816-318-8000  
Fax: 816-318-8100

## CONTENTS

R•O•M EXTREME CARGO TRAY - MODEL S7U - 70% STRAIGHT PULLOUT – UPPER SLIDES - ASSEMBLY DRAWING -----	1
R•O•M EXTREME CARGO TRAY - MODEL S7L - 70% STRAIGHT PULLOUT – LOWER SLIDES - ASSEMBLY DRAWING -----	2
R•O•M EXTREME CARGO TRAY - MODEL T9U – 90% TILT PULLOUT – UPPER SLIDES - ASSEMBLY DRAWING -----	3
R•O•M EXTREME CARGO TRAY - MODEL T9L – 90% TILT PULLOUT – LOWER SLIDES - ASSEMBLY DRAWING -----	4
R•O•M EXTREME CARGO TRAY - MODEL S1U - 100% STRAIGHT PULLOUT – UPPER SLIDES - ASSEMBLY DRAWING -----	5
R•O•M EXTREME CARGO TRAY - MODEL D7U - 70% DUAL DIRECTIONAL STRAIGHT PULLOUT – UPPER SLIDES - ASSEMBLY DRAWING ----	6

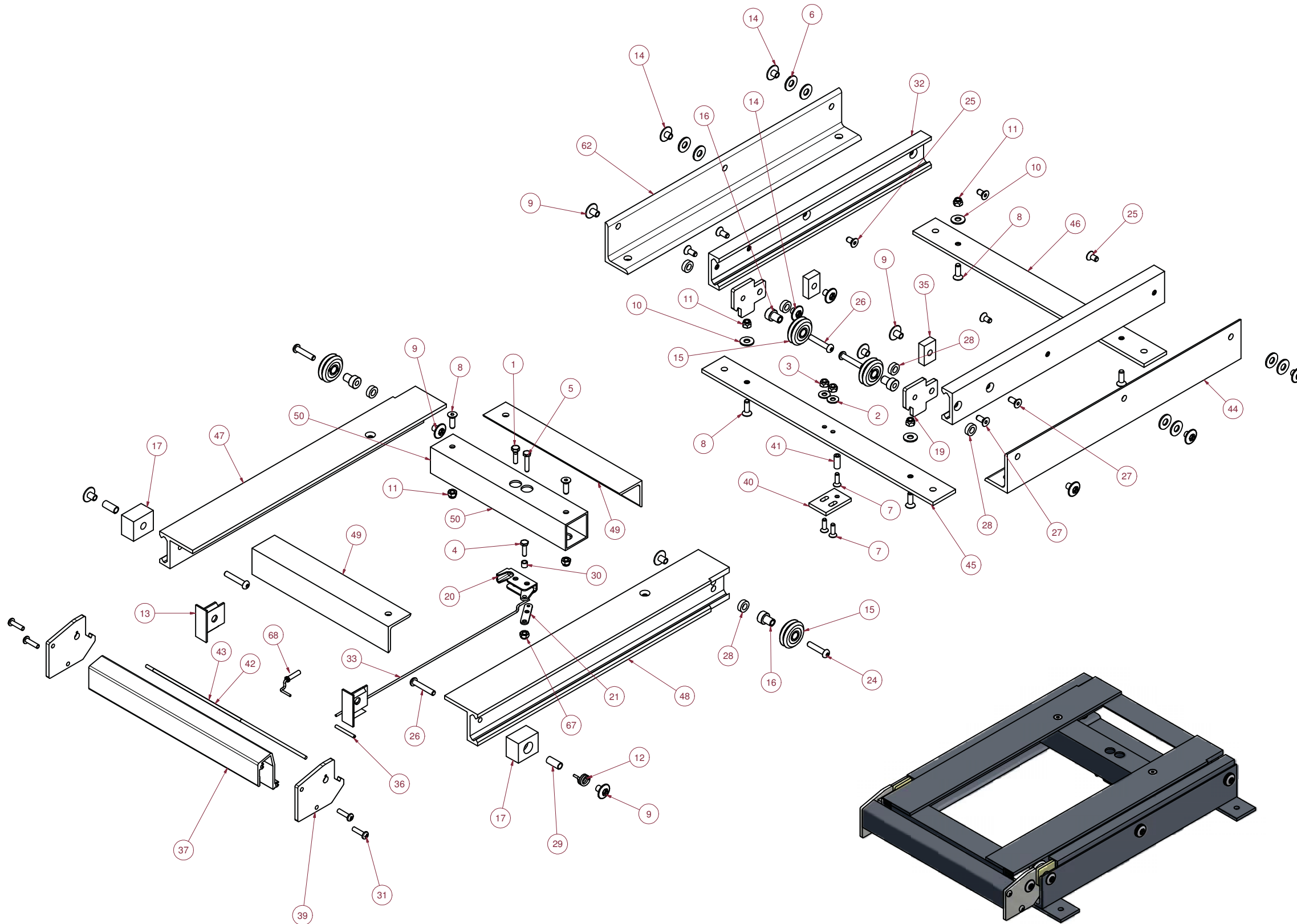
Copyright © 2010 R•O•M Corporation. All Rights Reserved.

These drawings and the information contained herein are the confidential and proprietary intellectual property of R•O•M Corporation and should not be disclosed to any third party without the express prior written consent of R•O•M Corporation.

# R•O•M EXTREME CARGO TRAY - MODEL S7U - 70% STRAIGHT PULLOUT – UPPER SLIDES

## MODEL S7U

REVISION HISTORY				
LTR	ECN NO	DESCRIPTION	DATE	BY
A	802	INITIAL RELEASE	1/13/09	BAM
B	814	ADDED LABELS TO BOM	2/26/09	BAM
C	844	ADDED HANDED PARTS TO ASSY	5/23/09	BAM
D	863	ADDED WHEEL SUPPORT COMPONENTS / LH SPRING/CHANGED LATCH ARM BOLT AND NUT	8/20/09	BAM
E	915	ADDED FRONT LATCH ASSY	5/11/10	BAM

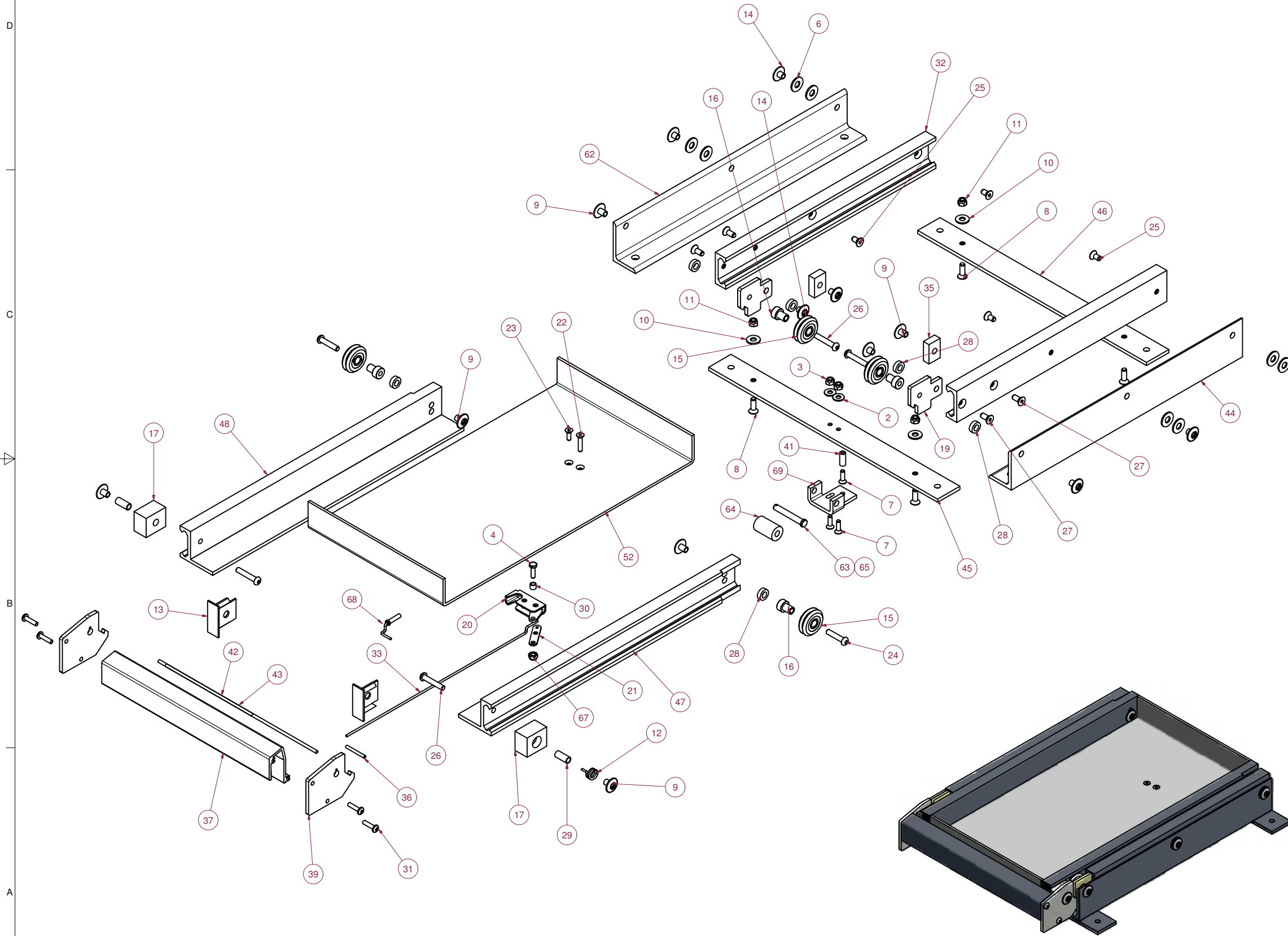


NO.	DESCRIPTION	SELLABLE	ITEM	QTY.
68	CARGO TRAY FRONT LATCH ASS'Y	YES	R03095	1
67	1/4-20 NUT HEX JAM 18-8 S/S	YES	R01584	1
66	CARGO TRAY SPRING LH	YES	R02890	1
62	CARGO TRAY ANGLE MOUNT LEFT	YES	R02820	1
60	CARGO TRAY LABEL 1000 LB CAPACITY	YES	R02698	1
55	TAPE REFLECTIVE RED 1"W X 8 5/16"L	YES	R01324	2
54	SERIAL LABEL W/ NUMBER CARGO TRAY	YES	R02560	1
50	CARGO TRAY TUBE BRACE	YES	R02641	1
49	CARGO TRAY ANGLE BRACE	NO	R02640	2
48	CARGO TRAY RAIL FLANGED RIGHT	NO	R02639	1
47	CARGO TRAY RAIL FLANGED LEFT	NO	R02638	1
46	CARGO TRAY FLAT MOUNT	YES	R02637	1
45	CARGO TRAY BOLT FLAT MOUNT	YES	R02636	1
44	CARGO TRAY ANGLE MOUNT RIGHT	YES	R02635	1
43	CARGO TRAY HANDLE SPACER ROD LEFT CFG	YES	R02634	1
42	CARGO TRAY HANDLE SPACER ROD RIGHT CFG	YES	R02660	1
41	CARGO TRAY LATCH STOP LONG	YES	R02633	2
40	CARGO TRAY BOLT PLATE	YES	R02632	1
39	CARGO TRAY HANDLE PLATE LOW PROF	YES	R02582	2
37	CARGO TRAY HANDLE LOW PROF	YES	R02642	1
36	CARGO TRAY LATCH WIRE SLEEVE	YES	R02570	1
35	CARGO TRAY UHMW ADJ STOP	YES	R02535	2
33	CARGO TRAY LATCH WIRE MOD CFG	YES	R02654	1
32	CARGO TRAY RAIL MOD	YES	R02651	2
31	1/4-20 X 1 OAL THR CUTTING SCREW	YES	R02505	4
30	BUSHING SS 1/4 X 3/8 X 5/16 OAL	YES	R02504	1
29	BUSHING SS 5/16 X 7/16 X 1 OAL	YES	R02503	2
28	BUSHING ALUM 3/8 X 3/4 X 1/4 OAL	YES	R02502	6
27	5/16-18 X 3/4 FHCS SOCKET HD ZP	YES	R02501	4
26	5/16-18 X 1 3/4 BHCS SOCKET HD SS	YES	R02500	4
25	5/16-18 X 5/8 FHCS SOCKET HD ZP	YES	R02499	4
24	5/16-18 X 1 1/2 BHCS SOCKET HD SS	YES	R02497	2
21	CARGO TRAY LATCH ARM Z/P	YES	R02490	1
20	CARGO TRAY LATCH 8-240 ZN LH	YES	R02488	1
19	CARGO TRAY LOCK PLATE Z/P	YES	R02487	2
17	CARGO TRAY UHMW END STOP SPRING	YES	R02484	2
16	CARGO TRAY V GROOVE BUSHING	YES	R02483	4
15	CARGO TRAY V GROOVE BEARING	YES	R02482	4
14	CAMTAINER NUT 5/16-18 X 3/8 TOR	YES	R02481	6
13	CARGO TRAY END CAP	YES	R02470	2
12	CARGO TRAY SPRING	YES	R02469	1
11	NUT FLANGED 5/16-18	YES	R02186	6
10	WASHER 5/16 USS FLAT	YES	R01634	4
9	CAMTAINER NUT 5/16-18 X 1/2 TOR	YES	R00453	8
8	5/16-18 X 1 FHCS SOCKET HD SS	YES	R02627	6
7	1/4-20 X 7/8 FHCS SOCKET HD ZP	YES	R02630	6
6	WASHER FLAT 7/16 ID X 1 OD X .083 THK ZP	YES	R02628	8
5	1/4-20 X 1-1/4 HEX HD CAP SCR FULL THR ZP	YES	R02631	1
4	1/4-20 X 3/4 HEX HD CAP SCREW SS	YES	10012	1
3	1/4-20 NYLON INSERT STOP NUT SS	YES	14008	4
2	WASHER 1/4SAE 1/16X9/32IDX5/8OD ZPA	YES	10030	4
1	1/4-20 X 3/4 HEX HD CAP SCR ZP	YES	10162	1

<p>6800 E. 163rd Street Belton, MO 64012-5463 (816) 318-8000 (800) 827-3692 Fax (816) 319-8100 www.romcorp.com</p>	CARGO TRAY	
	CARGO TRAY S7U CONFIGURABLE	
<p>Copyright © 2008 ROM Corporation. All Rights Reserved. This drawing and the information contained herein are the confidential and proprietary intellectual property of ROM Corporation and shall not be disclosed to any third party without the prior written consent of ROM Corporation. Dimensions are in inches unless otherwise noted.</p>	<p>Size: D Scale: NTS Date: 12/10/2008 Drawn: BAM Checked: BAM</p>	<p>Item No.: R02659 Sheet: 1 OF 4 Drawing No.: R02659</p>

# R·O·M EXTREME CARGO TRAY - MODEL S7L - 70% STRAIGHT PULLOUT – LOWER SLIDES

MODEL S7L

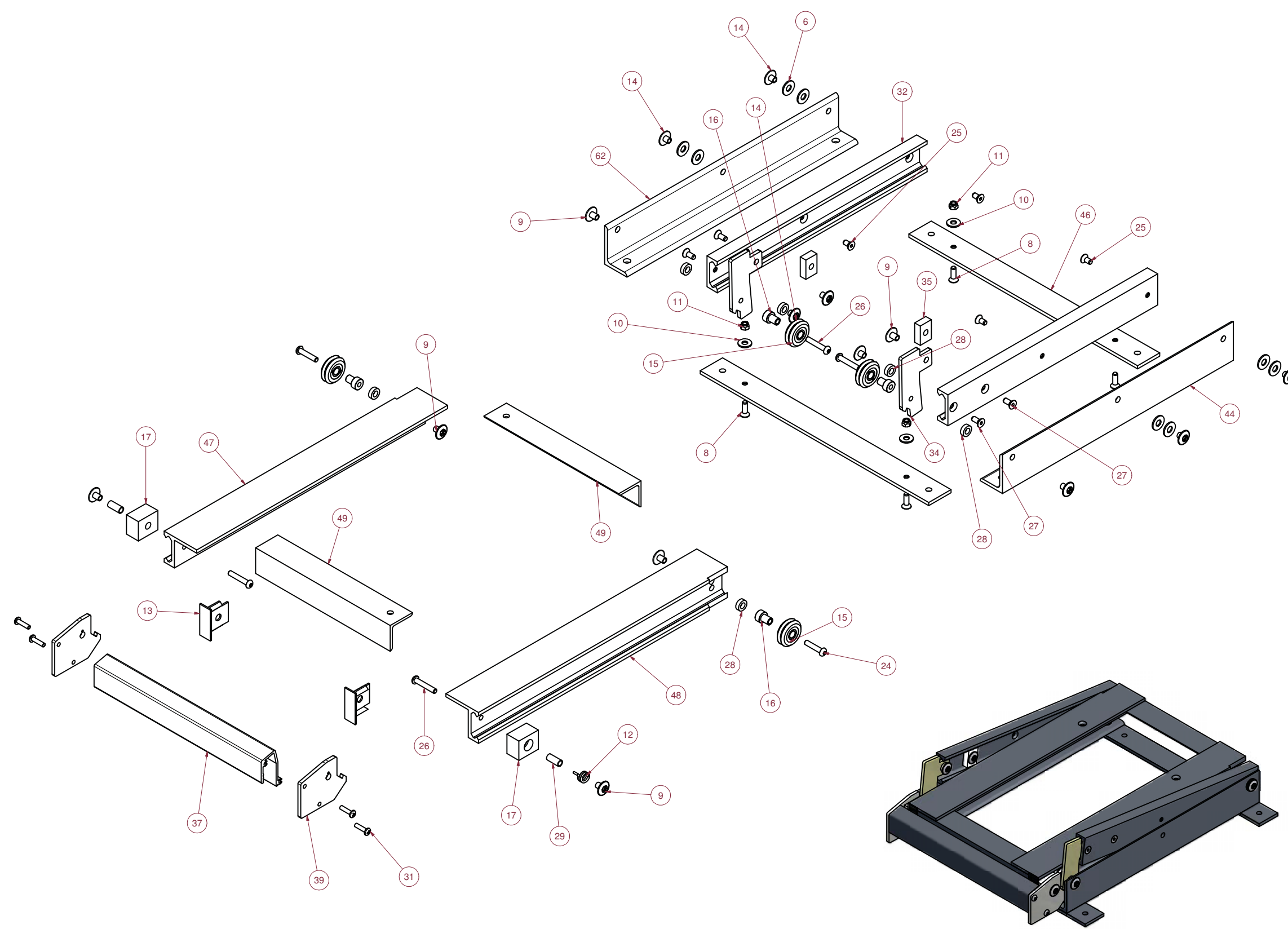


NO.	DESCRIPTION	SELLABLE	ITEM	QTY.
69	WHEEL SUPPORT BRACKET	YES	R02887	1
68	CARGO TRAY FRONT LATCH ASS'Y	YES	R03095	1
67	1/4-20 NUT HEX JAM 18-8 S/S	YES	R01584	1
66	CARGO TRAY SPRING LH	YES	R02890	1
65	COTTER CIRCLE 3/4" SS	YES	R00614	1
64	WHEEL CARGO TRAY	YES	R02889	1
63	CLEVIS PIN 3/8 X 2-1/2 ZP	YES	R02888	1
62	CARGO TRAY ANGLE MOUNT LEFT	YES	R02820	1
60	CARGO TRAY LABEL 1000 LB CAPACITY	YES	R02698	1
55	TAPE REFLECTIVE RED 1"W X 8 5/16"L	YES	R01324	2
54	SERIAL LABEL W/ NUMBER CARGO TRAY	YES	R02560	1
52	CARGO TRAY FORMED PAN BOTTOM MT CFG	NO	R02658	1
48	CARGO TRAY RAIL FLANGED RIGHT	NO	R02639	1
47	CARGO TRAY RAIL FLANGED LEFT	NO	R02638	1
46	CARGO TRAY FLAT MOUNT	YES	R02637	1
45	CARGO TRAY BOLT FLAT MOUNT	YES	R02636	1
44	CARGO TRAY ANGLE MOUNT RIGHT	YES	R02635	1
43	CARGO TRAY HANDLE SPACER ROD LEFT CFG	YES	R02634	1
42	CARGO TRAY HANDLE SPACER ROD RIGHT CFG	YES	R02660	1
41	CARGO TRAY LATCH STOP LONG	YES	R02633	2
39	CARGO TRAY HANDLE PLATE LOW PROF	YES	R02582	2
37	CARGO TRAY HANDLE LOW PROF	YES	R02642	1
36	CARGO TRAY LATCH WIRE SLEEVE	YES	R02570	1
35	CARGO TRAY UHMW ADJ STOP	YES	R02535	2
33	CARGO TRAY LATCH WIRE MOD CFG	YES	R02654	1
32	CARGO TRAY RAIL MOD	YES	R02651	2
31	1/4-20 X 1 OAL THR CUTTING SCREW	YES	R02505	4
30	BUSHING SS 1/4 X 3/8 X 5/16 OAL	YES	R02504	1
29	BUSHING SS 5/16 X 7/16 X 1 OAL	YES	R02503	2
28	BUSHING ALUM 3/8 X 3/4 X 1/4 OAL	YES	R02502	6
27	5/16-18 X 3/4 FHCS SOCKET HD ZP	YES	R02501	4
26	5/16-18 X 1 3/4 BHCS SOCKET HD SS	YES	R02500	4
25	5/16-18 X 5/8 FHCS SOCKET HD ZP	YES	R02499	4
24	5/16-18 X 1 1/2 BHCS SOCKET HD SS	YES	R02497	2
23	1/4-20 X 3/4 FHCS SOCKET HD ZP	YES	R02495	1
22	1/4-20 X 1 1/4 FHCS SOCKET HD ZP	YES	R02494	1
21	CARGO TRAY LATCH ARM Z/P	YES	R02490	1
20	CARGO TRAY LATCH 8-240 ZN LH	YES	R02488	1
19	CARGO TRAY LOCK PLATE Z/P	YES	R02487	2
17	CARGO TRAY UHMW END STOP SPRING	YES	R02484	2
16	CARGO TRAY V GROOVE BUSHING	YES	R02483	4
15	CARGO TRAY V GROOVE BEARING	YES	R02482	4
14	CAMTAINER NUT 5/16-18 X 3/8 TOR	YES	R02481	6
13	CARGO TRAY END CAP	YES	R02470	2
12	CARGO TRAY SPRING	YES	R02469	1
11	NUT FLANGED 5/16-18	YES	R02186	4
10	WASHER 5/16 USS FLAT	YES	R01634	4
9	CAMTAINER NUT 5/16-18 X 1/2 TOR	YES	R00453	8
8	5/16-18 X 1 FHCS SOCKET HD ZP	YES	R02627	4
7	1/4-20 X 7/8 FHCS SOCKET HD ZP	YES	R02630	6
6	WASHER FLAT 7/16 ID X 1 OD X .083 THK ZP	YES	R02628	8
4	1/4-20 X 3/4 HEX HD CAP SCREW SS	YES	10012	1
3	1/4-20 NYLON INSERT STOP NUT SS	YES	14008	4
2	WASHER 1/4SAE 1/16X9/32IDX5/8OD ZPA	YES	10030	4

		6800 E. 163rd Street Belton, MO 64012-5463 (816) 318-8000 (800) 827-3692 Fax (816) 319-8100 www.romcorp.com		CARGO TRAY CARGO TRAY S7L CONFIGURABLE	
Copyright © 2008 ROM Corporation. All Rights Reserved. This drawing and the information contained herein are the confidential and proprietary intellectual property of ROM Corporation and should not be disclosed to any third party without the prior written consent of ROM Corporation. Dimensions are in inches unless otherwise noted.	Size D Scale NTS Date 12/10/2008 Drawn BAM Checked	Rev E Item No. R02659 Sheet 2 OF 4 Drawing No. R02659	Date 12/10/2008 Drawn BAM Checked	Date 12/10/2008 Drawn BAM Checked	Date 12/10/2008 Drawn BAM Checked

# R•O•M EXTREME CARGO TRAY - MODEL T9U – 90% TILT PULLOUT – UPPER SLIDES

MODEL T9U



66	CARGO TRAY SPRING LH	YES	R02890	1
62	CARGO TRAY ANGLE MOUNT LEFT	YES	R02820	1
61	CARGO TRAY LABEL 250 LB CAPACITY	YES	R02699	1
55	TAPE REFLECTIVE RED 1"W X 8 5/16"L	YES	R01324	2
54	SERIAL LABEL W/ NUMBER CARGO TRAY	YES	R02560	1
49	CARGO TRAY ANGLE BRACE	NO	R02640	2
48	CARGO TRAY RAIL FLANGED RIGHT	NO	R02639	1
47	CARGO TRAY RAIL FLANGED LEFT	NO	R02638	1
46	CARGO TRAY FLAT MOUNT	YES	R02637	2
44	CARGO TRAY ANGLE MOUNT RIGHT	YES	R02635	1
39	CARGO TRAY HANDLE PLATE LOW PROF	YES	R02582	2
37	CARGO TRAY HANDLE LOW PROF	YES	R02642	1
35	CARGO TRAY UHMW ADJ STOP	YES	R02535	2
34	CARGO TRAY TILT LOCK PLATE Z/P, CARGO TRAY TILT LOCK PLATE SHORT Z/P	YES	R02534, R02574	2
32	CARGO TRAY RAIL MOD	YES	R02651	2
31	1/4-20 X 1 OAL THR CUTTING SCREW	YES	R02505	4
29	BUSHING SS 5/16 X 7/16 X 1 OAL	YES	R02503	2
28	BUSHING ALUM 3/8 X 3/4 X 1/4 OAL	YES	R02502	6
27	5/16-18 X 3/4 FHCS SOCKET HD ZP	YES	R02501	4
26	5/16-18 X 1 3/4 BHCS SOCKET HD SS	YES	R02500	4
25	5/16-18 X 5/8 FHCS SOCKET HD ZP	YES	R02499	4
24	5/16-18 X 1 1/2 BHCS SOCKET HD SS	YES	R02497	2
17	CARGO TRAY UHMW END STOP SPRING	YES	R02484	2
16	CARGO TRAY V GROOVE BUSHING	YES	R02483	4
15	CARGO TRAY V GROOVE BEARING	YES	R02482	4
14	CAMTAINER NUT 5/16-18 X 3/8 TOR	YES	R02481	6
13	CARGO TRAY END CAP	YES	R02470	2
12	CARGO TRAY SPRING	YES	R02469	1
11	NUT FLANGED 5/16-18	YES	R02186	4
10	WASHER 5/16 USS FLAT	YES	R01634	4
9	CAMTAINER NUT 5/16-18 X 1/2 TOR	YES	R00453	8
8	5/16-18 X 1 FHCS SOCKET HD ZP	YES	R02627	4
6	WASHER FLAT 7/16 ID X 1 OD X .083 THK ZP	YES	R02628	8
NO.	DESCRIPTION	SELLABLE	ITEM	QTY.



6800 E. 163rd Street  
Belton, MO 64012-5463  
(816) 318-8000  
(800) 827-3692  
Fax (816) 319-8100  
www.romcorp.com

CARGO TRAY

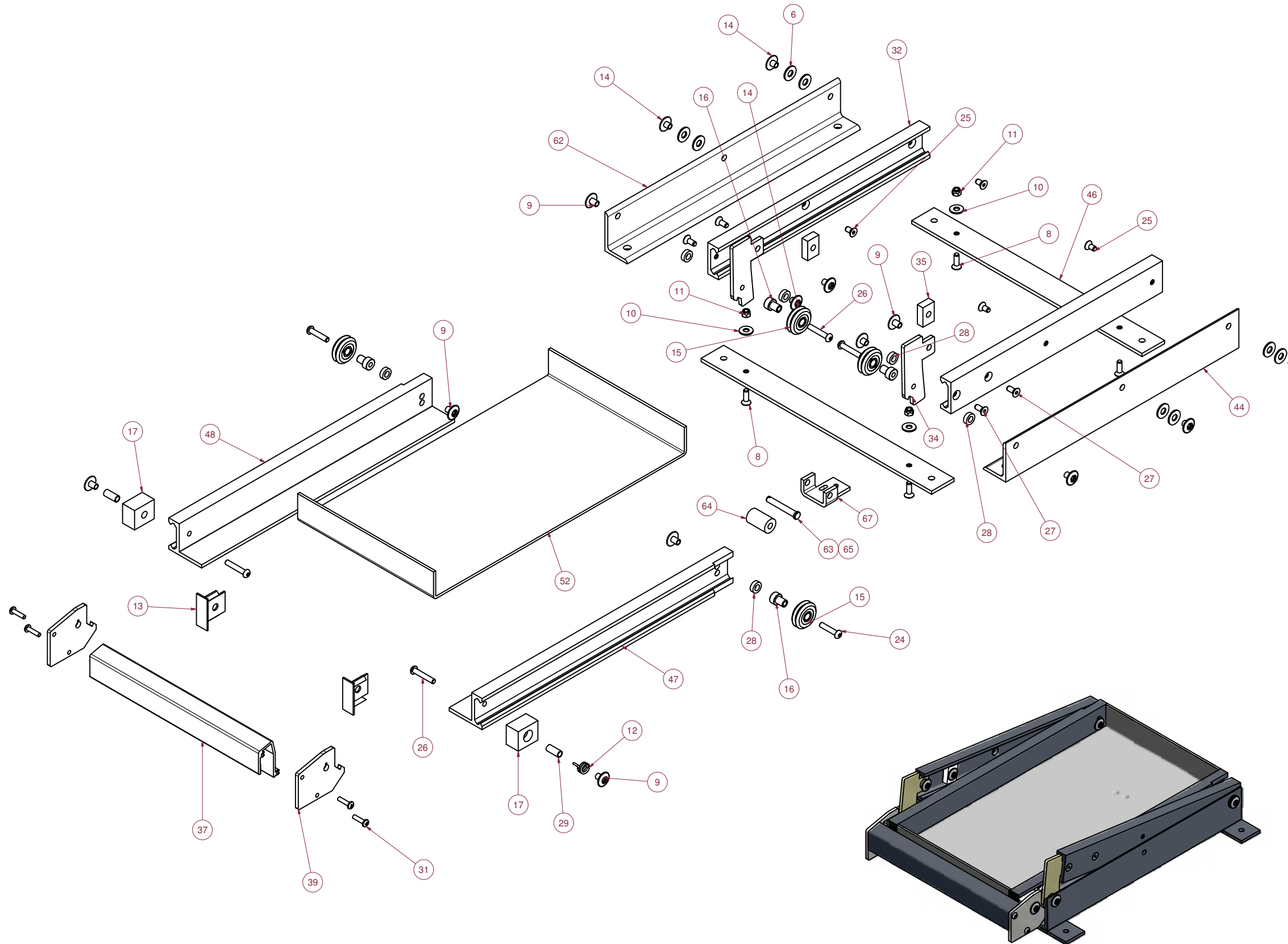
CARGO TRAY T9U CONFIGURABLE

Size	D	Scale	NTS	Date	12/10/2008	Drawn	BAM	Checked	
Rev.	E	Item No.	R02659	Sheet	3 OF 4	Drawing No.	R02659		

Copyright © 2008 ROM Corporation. All Rights Reserved. This drawing and the information contained herein are the confidential and proprietary intellectual property of ROM Corporation and should not be disclosed to any third party without the prior written consent of ROM Corporation.  
Dimensions are in inches unless otherwise noted.

# R•O•M EXTREME CARGO TRAY - MODEL T9L – 90% TILT PULLOUT – LOWER SLIDES

## MODEL T9L



69	WHEEL SUPPORT BRACKET	YES	R02887	1
66	CARGO TRAY SPRING LH	YES	R02890	1
65	COTTER CIRCLE 3/4" SS	YES	R00614	1
64	WHEEL CARGO TRAY	YES	R02889	1
63	CLEVIS PIN 3/8 X 2-1/2 ZP	YES	R02888	1
62	CARGO TRAY ANGLE MOUNT LEFT	YES	R02820	1
61	CARGO TRAY LABEL 250 LB CAPACITY	YES	R02699	1
55	TAPE REFLECTIVE RED 1"W X 8 5/16"L	YES	R01324	2
54	SERIAL LABEL W/ NUMBER CARGO TRAY	YES	R02560	1
52	CARGO TRAY FORMED PAN BOTTOM MT CFG	NO	R02658	1
48	CARGO TRAY RAIL FLANGED RIGHT	NO	R02639	1
47	CARGO TRAY RAIL FLANGED LEFT	NO	R02638	1
46	CARGO TRAY FLAT MOUNT	YES	R02637	2
44	CARGO TRAY ANGLE MOUNT RIGHT	YES	R02635	1
39	CARGO TRAY HANDLE PLATE LOW PROF	YES	R02582	2
37	CARGO TRAY HANDLE LOW PROF	YES	R02642	1
35	CARGO TRAY UHMW ADJ STOP	YES	R02535	2
34	CARGO TRAY TILT LOCK PLATE Z/P, CARGO TRAY TILT LOCK PLATE SHORT Z/P	YES	R02534, R02574	2
32	CARGO TRAY RAIL MOD	YES	R02651	2
31	1/4-20 X 1 OAL THR CUTTING SCREW	YES	R02505	4
29	BUSHING SS 5/16 X 7/16 X 1 OAL	YES	R02503	2
28	BUSHING ALUM 3/8 X 3/4 X 1/4 OAL	YES	R02502	6
27	5/16-18 X 3/4 FHCS SOCKET HD ZP	YES	R02501	4
26	5/16-18 X 1 3/4 BHCS SOCKET HD SS	YES	R02500	4
25	5/16-18 X 5/8 FHCS SOCKET HD ZP	YES	R02499	4
24	5/16-18 X 1 1/2 BHCS SOCKET HD SS	YES	R02497	2
17	CARGO TRAY UHMW END STOP SPRING	YES	R02484	2
16	CARGO TRAY V GROOVE BUSHING	YES	R02483	4
15	CARGO TRAY V GROOVE BEARING	YES	R02482	4
14	CAMTAINER NUT 5/16-18 X 3/8 TOR	YES	R02481	6
13	CARGO TRAY END CAP	YES	R02470	2
12	CARGO TRAY SPRING	YES	R02469	1
11	NUT FLANGED 5/16-18	YES	R02186	4
10	WASHER 5/16 USS FLAT	YES	R01634	4
9	CAMTAINER NUT 5/16-18 X 1/2 TOR	YES	R00453	8
8	5/16-18 X 1 FHCS SOCKET HD ZP	YES	R02627	4
6	WASHER FLAT 7/16 ID X 1 OD X .083 THK ZP	YES	R02628	8
NO.	DESCRIPTION	SELLABLE	ITEM	QTY.

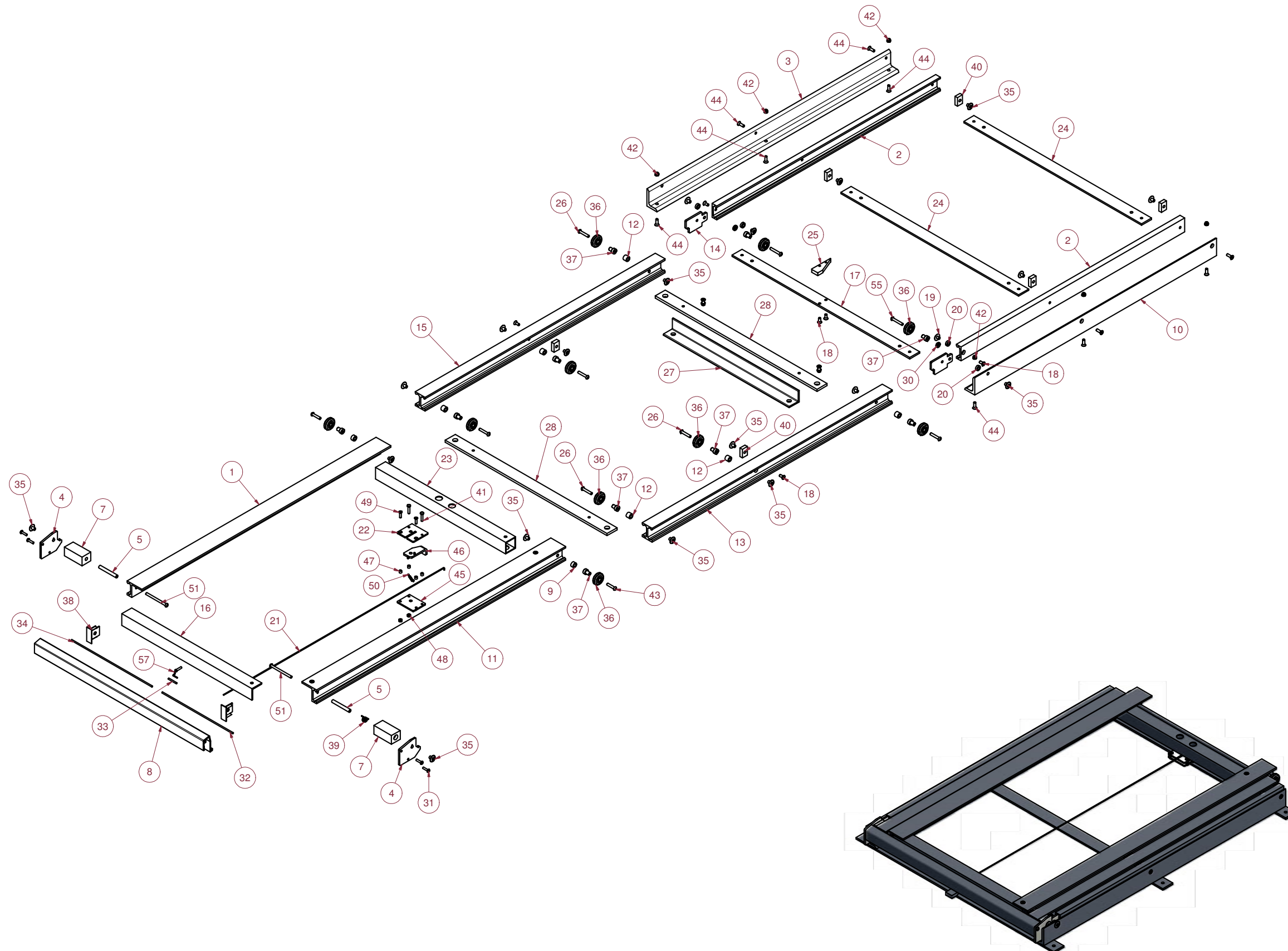
Parts List

<p>6800 E. 163rd Street Belton, MO 64012-5463 (816) 318-8000 (800) 827-3692 Fax (816) 319-8100 www.romcorp.com</p>	CARGO TRAY	
	CARGO TRAY T9L CONFIGURABLE	
<small>Copyright © 2008 ROM Corporation. All Rights Reserved. This drawing and the information contained herein are the confidential and proprietary intellectual property of ROM Corporation and should not be disclosed to any third party without the prior written consent of ROM Corporation. Dimensions are in inches unless otherwise noted.</small>	Size: D Scale: NTS Date: 12/10/2008 Rev: E	Item No.: R02659 Sheet: 4 OF 4 Drawing No.: R02659

# R•O•M EXTREME CARGO TRAY - MODEL S1U - 100% STRAIGHT PULLOUT – UPPER SLIDES

## MODEL S1U

REVISION HISTORY				
LTR	ECN NO	DESCRIPTION	DATE	BY
A	839	INITIAL RELEASE	5/27/2009	BAM
B	854	ADDED 2 IN FASTENER	7/22/09	BAM
C	853	ADDED LH SPRING	8/23/09	BAM
D	915	ADDED FRONT LATCH ASSY	5/11/10	BAM



NO.	DESCRIPTION	SELLABLE	ITEM	QTY.
57	CARGO TRAY FRONT LATCH ASS'Y	YES	R03095	1
56	CARGO TRAY SPRING LH	YES	R02890	1
55	5/16-18 X 2 BHCS SOCKET HD SS	YES	R02826	2
54	CARGO TRAY LABEL 600 LB CAPACITY	YES	R02798	1
53	TAPE REFLECTIVE RED 1"W	YES	R02710	2
52	SERIAL LABEL W/ NUMBER CARGO TRAY	YES	R02560	1
51	5/16-18 X 4 BHCS SOCKET HD SS	YES	R02785	2
50	CARGO TRAY LATCH SPRING	YES	R02791	1
49	1/4-20 X 1 FHCS SOCKET HD ZP	YES	R02496	2
48	1/4-20 CENTER LOCK NUT ZP	YES	10038	4
47	BUSHING SS 1/4 X 3/8 X 5/16 OAL	YES	R02504	4
46	CARGO TRAY LATCH PIVOT PLATE SS	YES	R02790	1
45	CARGO TRAY LATCH BOTTOM PLATE ZP	YES	R02789	1
44	5/16-18 X 1 FHCS SOCKET HD SS	YES	R02627	14
43	5/16-18 X 1 1/2 BHCS SOCKET HD SS	YES	R02497	2
42	NUT FLANGED NYLOCK 5/16-18	YES	R02186	10
41	1/4-20 X 1-1/4 HEX HD CAP SCR FULL THR ZP	YES	R02631	2
40	CARGO TRAY UHMW ADJ STOP	YES	R02535	6
39	CARGO TRAY SPRING	YES	R02469	1
38	CARGO TRAY END CAP	YES	R02470	2
37	CARGO TRAY V GROOVE BUSHING	YES	R02483	10
36	CARGO TRAY V GROOVE BEARING	YES	R02482	10
35	CAMTAINER NUT 5/16-18 X 1/2 TOR	YES	R00453	18
34	CARGO TRAY HANDLE SPACER ROD RIGHT CFG	YES	R02660	1
33	CARGO TRAY LATCH WIRE SLEEVE	YES	R02570	1
32	CARGO TRAY HANDLE SPACER ROD LEFT CFG	YES	R02634	1
31	1/4-20 X 1 OAL THR CUTTING SCREW	YES	R02505	4
30	BUSHING ALUM 3/8 X 3/4 X .180 OAL	YES	R02783	2
28	CARGO TRAY FLAT MID SUPP S1	NO	R02773	2
27	CARGO TRAY ANGLE BRACE REAR S1	YES	R02771	1
26	5/16-18 X 1 3/4 BHCS SOCKET HD SS	YES	R02500	6
25	CARGO TRAY WEDGE S1	YES	R02779	1
24	CARGO TRAY FLAT MOUNT S1	YES	R02775	2
23	CARGO TRAY TUBE BRACE S1	YES	R02770	1
22	CARGO TRAY LATCH ASSY S1	YES	R02787	1
21	CARGO TRAY LATCH WIRE S1	YES	R02776	1
20	BUSHING ALUM 3/8 X 3/4 X 1/4 OAL	YES	R02502	4
19	CAMTAINER NUT 5/16-18X3/8 TORX #55	YES	R02481	2
18	5/16-18 X 3/4 FHCS SOCKET HD ZP	YES	R02501	6
17	CARGO TRAY FLAT MOUNT WEDGE S1	YES	R02774	1
16	CARGO TRAY ANGLE BRACE	NO	R02640	1
15	CARGO TRAY RAIL DUAL LEFT S1	NO	R02768	1
14	CARGO TRAY LOCK PLATE S1	YES	R02780	2
13	CARGO TRAY RAIL DUAL RIGHT S1	YES	R02769	1
12	BUSHING ALUM 3/8 X 3/4 X .610 OAL	YES	R02777	6
11	CARGO TRAY RAIL FLANGED RIGHT S1	YES	R02764	1
10	CARGO TRAY ANGLE MOUNT RIGHT S1	YES	R02767	1
9	BUSHING ALUM 3/8 X 3/4 X .430 OAL	YES	R02778	2
8	CARGO TRAY HANDLE LOW PROF	YES	R02642	1
7	CARGO TRAY UHMW END STOP S1 SPRING	YES	R02782	2
5	BUSHING SS 5/16 X 7/16 X 3.428 OAL	YES	R02784	2
4	CARGO TRAY HANDLE PLATE LOW PROF	YES	R02582	2
3	CARGO TRAY ANGLE MOUNT LEFT S1	YES	R02766	1
2	CARGO TRAY RAIL MOD S1	YES	R02765	2
1	CARGO TRAY RAIL FLANGED LEFT S1	NO	R02763	1



6800 E. 163rd Street  
Belton, MO 64012-5463  
(816) 318-8000  
(800) 827-3692  
Fax (816) 318-8100  
www.romcorp.com

CARGO TRAY	
CARGO TRAY S1U CONFIGURABLE	

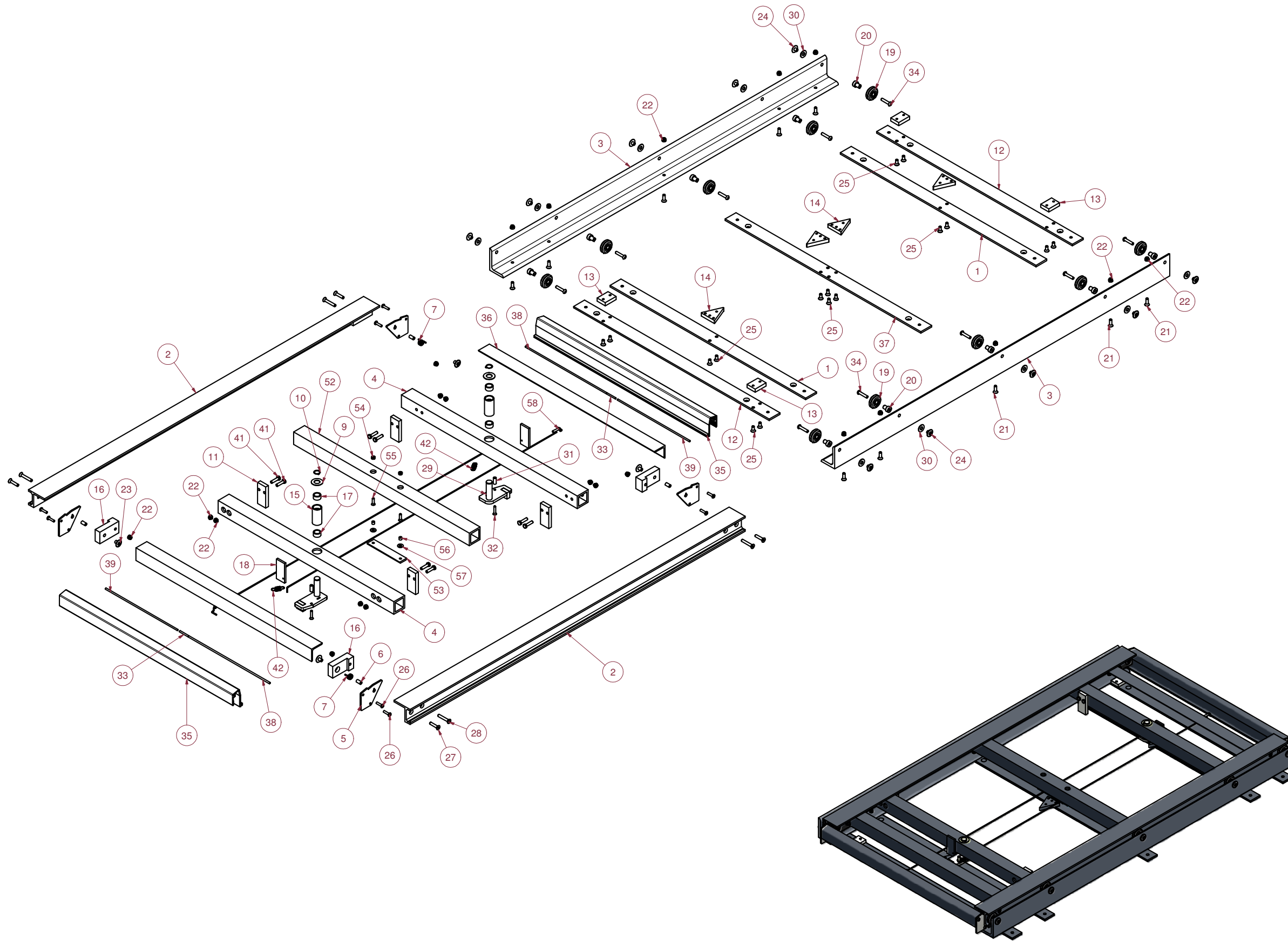
Size	Scale	Date	Drawn	Checked
D	NTS	5/27/2009	BAM	
Rev	Item No.	Sheet	Drawing No.	
D	R02794	1	R02794	

Copyright © 2009 R•O•M Corporation. All Rights Reserved. This drawing and the information contained herein are the confidential and proprietary information of R•O•M Corporation and should not be disclosed to any third party without the prior written consent of R•O•M Corporation. Dimensions are in inches unless otherwise noted.

# R•O•M EXTREME CARGO TRAY - MODEL D7U - 70% DUAL DIRECTIONAL STRAIGHT PULLOUT – UPPER SLIDES

## MODEL D7U

REVISION HISTORY				
LTR	ECN NO	DESCRIPTION	DATE	BY
A	839	INITIAL RELEASE	5/27/09	BAM
B	842	ADDED PARTS	6/11/09	BAM
C	853	ADDED LH SPRING	8/25/09	BAM
D	863	ADDED WIRE SUPPORT	10/27/09	BAM
E	915	ADDED FRONT LATCH ASSY	5/11/10	BAM



NO.	DESCRIPTION	SELLABLE	ITEM	QTY.
58	CARGO TRAY FRONT LATCH ASS'Y	YES	R03095	2
57	WASHER 1/4SAE 1/16X9/32IDX5/8OD ZPA	YES	10030	2
56	BUSHING SS 1/4 X 3/8 X 5/16 OAL	YES	R02504	2
55	1/4-20 X 1 FHCS SOCKET HD ZP	YES	R02496	2
54	1/4-20 CENTER LOCK NUT ZP	YES	10038	2
53	WEAR PAD CARRIER RW FOLDING RAMP	YES	R00252	1
52	CARGO TRAY TUBE BRACE D7	YES	R02941	1
48	CARGO TRAY SPRING LH	YES	R02890	2
47	CARGO TRAY LABEL 1000 LB CAPACITY	YES	R02698	1
44	TAPE REFLECTIVE RED 1"W	YES	R02710	2
43	SERIAL LABEL W/ NUMBER CARGO TRAY	YES	R02560	1
42	CARGO TRAY STOP SPRING	YES	R02802	2
41	5/16-18 X 1 1/4 HEX HD CAP SCR ZP	YES	R00610	8
39	CARGO TRAY HANDLE SPACER ROD RIGHT CFG	YES	R02660	2
38	CARGO TRAY HANDLE SPACER ROD LEFT CFG	YES	R02634	2
37	CARGO TRAY FLAT MOUNT D7	YES	R02786	1
36	CARGO TRAY ANGLE BRACE	NO	R02640	2
35	CARGO TRAY HANDLE LOW PROF	YES	R02642	2
34	5/16-18 X 1 1/2 BHCS SOCKET HD SS	YES	R02497	10
33	CARGO TRAY LATCH WIRE SLEEVE	YES	R02570	2
32	1/4-20 X 1 1/4 FHCS SOCKET HD SS	YES	R02494	2
31	CARGO TRAY LATCH STOP LONG	YES	R02633	2
30	WASHER FLAT 7/16 ID X 1 OD X .083 THK ZP	YES	R02628	10
29	CARGO TRAY PIVOT D7	YES	R02737	2
28	5/16-18 X 2 FHCS SOCKET HD ZP	YES	R02730	4
27	5/16-18 X 1 1/2 FHCS SOCKET HD ZP	YES	R02729	4
26	1/4-20 X 1 OAL THR CUTTING SCREW	YES	R02505	8
25	5/16-18 X 3/4 FHCS SOCKET HD ZP	YES	R02501	16
24	CAMTAINER NUT 5/16-18X3/8 TORX #55	YES	R02481	10
23	CAMTAINER NUT 5/16-18 X 1/2 TOR	YES	R00453	4
22	NUT FLANGED NYLOCK 5/16-18	YES	R02186	22
21	5/16-18 X 1 FHCS SOCKET HD SS	YES	R02627	10
20	CARGO TRAY V GROOVE BUSHING	YES	R02483	10
19	CARGO TRAY V GROOVE BEARING	YES	R02482	10
18	CARGO TRAY PIVOT STOP	YES	R02738	2
17	CARGO TRAY PIVOT BUSHING D7	YES	R02747	4
16	CARGO TRAY UHMW SPRING BLOCK D7	YES	R02734	4
15	CARGO TRAY PIVOT TUBE D7	YES	R02746	2
14	CARGO TRAY WEDGE D7	YES	R02736	4
13	CARGO TRAY HORIZ STOP D7	YES	R02733	4
12	CARGO TRAY FLAT MOUNT STOP D7	YES	R02745	2
11	CARGO TRAY VERT STOP D7	YES	R02732	4
10	CARGO TRAY EXT RETAINING RING 3/4	YES	R02749	2
9	CARGO TRAY RING SPACER	YES	R02748	2
8	CARGO TRAY LATCH WIRE D7	YES	R02750	2
7	CARGO TRAY SPRING	YES	R02469	2
6	BUSHING SS .375 X .319 X .708 OAL	YES	R02735	4
5	CARGO TRAY HANDLE PLATE D7	YES	R02731	4
4	CARGO TRAY TUBE BRACE D7	NO	R02743	2
3	CARGO TRAY ANGLE MOUNT D7	YES	R02740	2
2	CARGO TRAY RAIL FLANGED D7	YES	R02742	2
1	CARGO TRAY FLAT MOUNT WEDGE D7	NO	R02744	2

Parts List		CARGO TRAY	
CARGO TRAY D7U CONFIGURABLE		CARGO TRAY	
Size	D	Scale	NTS
Date	5/27/2009	Drawn	BAM
Rev	E	Item No.	R02793
Sheet	1	Drawing No.	R02793

Copyright © 2009 R•O•M Corporation. All Rights Reserved. This drawing and the information contained herein are the confidential and proprietary information of R•O•M Corporation and should not be disclosed to any third party without the prior written consent of R•O•M Corporation. Dimensions are in inches unless otherwise noted.