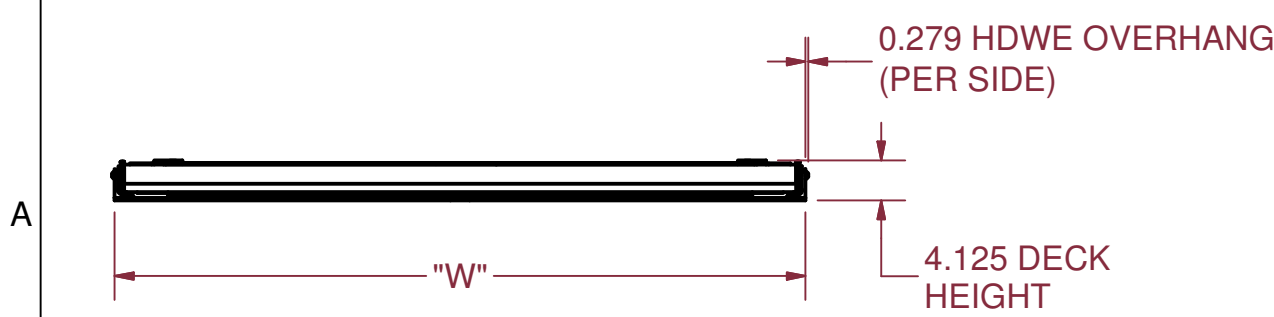
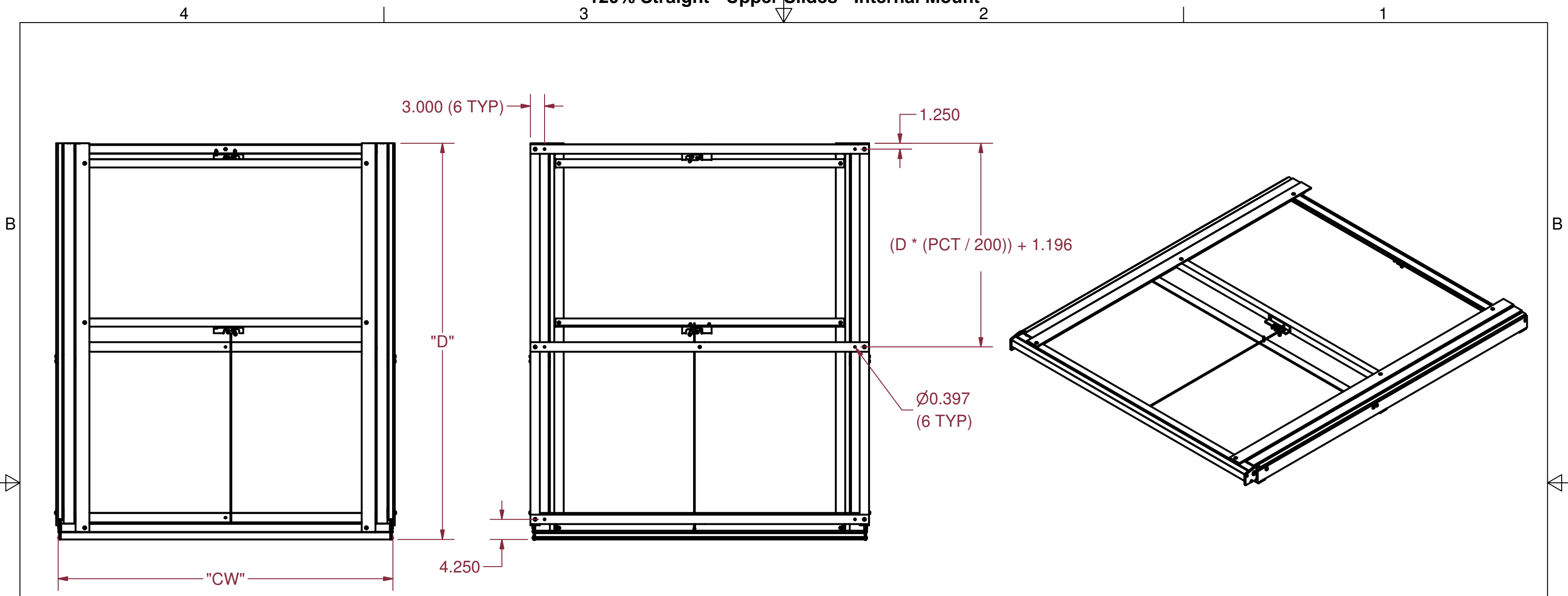



Extreme Cargo Tray - Model # S2UI
120% Straight - Upper Slides - Internal Mount



OVERALL DIMENSION TOLERANCES $\pm 1/8"$

"D" = OVERALL DEPTH (CUSTOMER SPECIFIED)
 "W" = OVERALL WIDTH (CUSTOMER SPECIFIED)
 "CW" = SLIDE CLEARANCE WIDTH = "W" - 0.836
 "PCT" = PERCENTAGE PULLOUT OF ASSEMBLY

| | | | | |
|--|-------------------|-------------------------------|--------------------|------------------------------|
|  6800 E. 163rd Street Belton, MO 64012-5463 (816) 318-8000 (800) 827-3692 Fax (816) 318-8100 www.romcorp.com Excellence made to order. | CARGO TRAY | | | |
| | MODEL S2UI | | | |
| Copyright © 2010 R-O-M Corporation. All Rights Reserved. This drawing and the information contained herein are the confidential and proprietary intellectual property of R-O-M Corporation and should not be disclosed to any third party without the prior written consent of R-O-M Corporation. Dimensions are in inches unless otherwise noted. | Size B | Scale NTS | Date 12/14/2010 | Drawn BAM |
| | Rev. | Item No. R03170 order form | Sheet 2 | Checked R03170 order form |