



*Excellence made to order.*

R•O•M  
T-WARRIOR™  
BULKHEAD

PARTS  
MANUAL

FM-7.5-222  
Rev E  
03-17-11

R•O•M Corporation  
6800 East 163<sup>rd</sup> Street  
Belton, Missouri 64012

[www.romcorp.com](http://www.romcorp.com)  
[sales@romcorp.com](mailto:sales@romcorp.com)

Toll: 800-827-3692  
Phone: 816-318-8000  
Fax: 816-318-8100

CONTENTS

ORIGINAL T-WARRIOR™ (replaceable seals)

T-WARRIOR™ TW1000 BI-FOLD BULKHEAD ..... 1

T-WARRIOR™ TW1100 OFF-SET BULKHEAD w/ MAN DOOR ..... 2

T-WARRIOR™ LT (reversible seals)

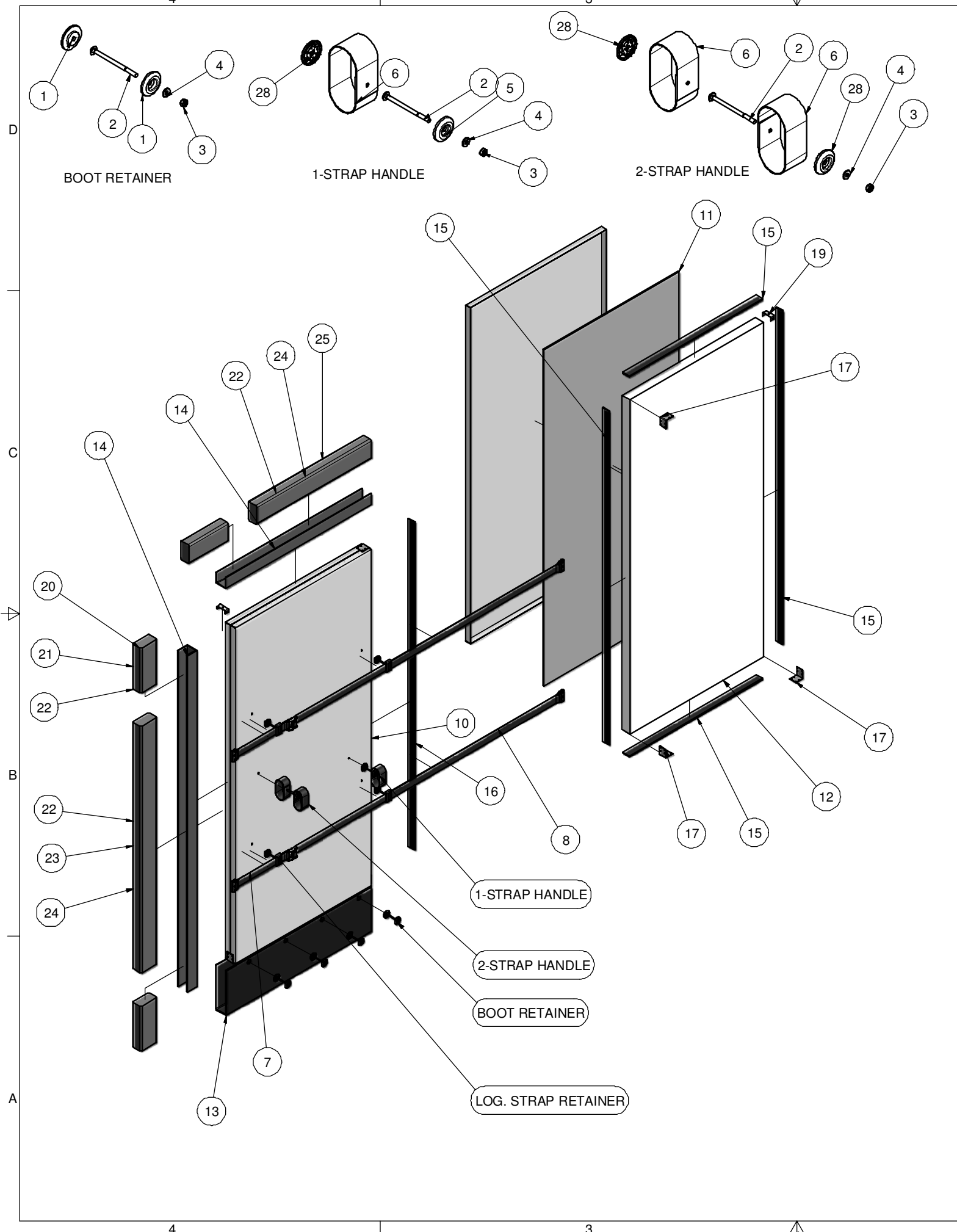
T-WARRIOR™ TW1000-LT BI-FOLD BULKHEAD..... 3

T-WARRIOR™ - KIT PARTS

T-WARRIOR™ – KIT PARTS ..... 3

Copyright © 2011 R•O•M Corporation. All Rights Reserved.  
These drawings and the information contained herein are the confidential and proprietary intellectual property of R•O•M Corporation and should not be disclosed to any third party without the express prior written consent of R•O•M Corporation.

# T-WARRIOR -- TW1000 BI-FOLD BULKHEAD



REVISION HISTORY				
LTR	ECN NO	DESCRIPTION	DATE	BY
A	N/A	PART CREATION	04/10/06	BAM
B	593	MODIFIED BOM TO SHOW LOGISTIC STRAP ASSY	07/28/06	BAM
C	602	ADDED R01853 WASHER, XENOY, FLAT TW	09/06/06	BAM
D	639	ADDED TEE NUT, SCREW AND FLAT WASHER	04/13/07	BAM
E	711	ADDED LONGER SCREW FOR BOTTOM BOOT	02/14/08	BAM
F	730	ADDED LOCK WASHER, DRIBOND, CHANGED TEE NUT	04/15/08	BAM

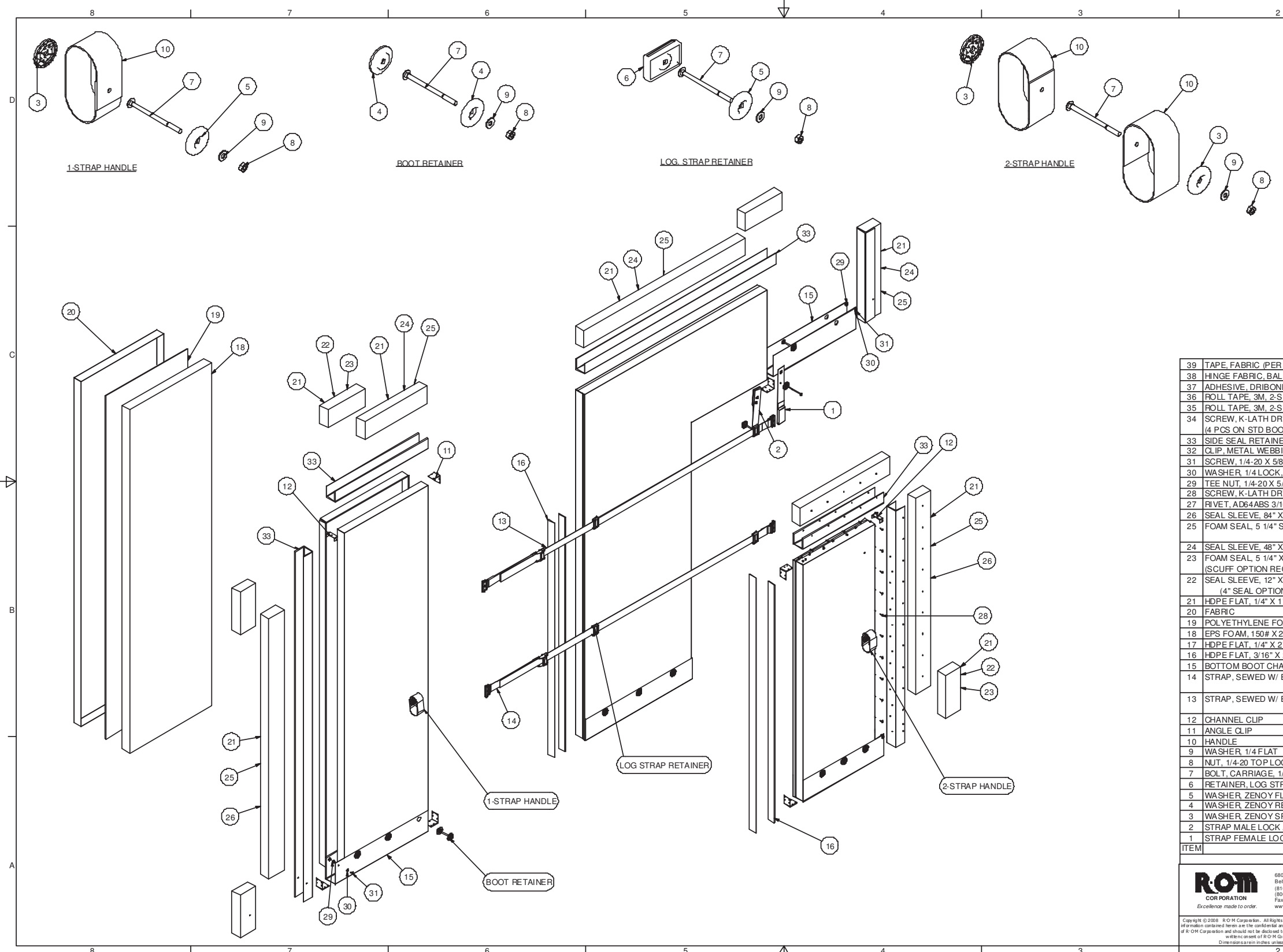
NO.	DESCRIPTION	SELLABLE	ITEM	QTY.
36	ADHESIVE DRIBOND 48" OAW X FT	NO	R02344	72
35	WASHER, LOCK, 1/4" SS	YES	R01787	4
34	SCREW, K-LATH DRY-WALL 8x1 ZP (4 PCS ON STD BOOT, 8 PCS ON TALL BOTTOM BOOT)	YES	R02362	4 (8)
33	TEE NUT 1/4-20 X 5/16 ZP	YES	R02410	4
32	PAN HD SCREW 1/4-20 X 5/8 ZP	YES	R02017	4
31	ROLL TAPE, 3M, 2-SIDED, 1 X 60 YD (PER FT)	NO	R01905	50
30	ROLL TAPE, 3M, 2-SIDED, 2 1/8 X 60 YD (PER FT)	NO	R01900	50
29	CLIP METAL WEBBING M/S 2 CRIMP-ON	NO	01037	TBD
28	WASHER, XENOY, SPIKED, TW	YES	R01853	6
27	RIVET AD64ABS 3/16X3/8H .125-.25GRP	YES	R00366	6
26	HINGE FABRIC, BALLISTIC NYLON	YES	R01743	1
25	SEAL SLEEVE, 48" x 5" STD HEIGHT	YES	R01736	2
24	FOAM SEAL, TW, 5 1/4" STD x 4' OAL (4 1/4")	YES	R01730 (R01732)	4.5
23	SEAL SLEEVE, 84" x 5" STD HEIGHT	YES	R01737	2
22	HDPE FLAT, 1/4" x 1"	YES	R01733	4.5
21	FOAM SEAL, TW, 5 1/4" STD x 12 3/4" LG [SCUFF OPTION REQUIRES 4 1/4" FOAM]	YES	R01835	6 (4)
20	SEAL SLEEVE, 12" x 5" STD HEIGHT (12" x 4") [4" SEAL OPTION ON SCUFF ONLY (2 PCS)]	YES	R01734 (R01735)	6 (4)
19	CHANNEL CLIPS, TW	YES	R01755	2
18	SCREW, K-LATH DRY-WALL 8x3/4 ZP	YES	R01744	200
17	ANGLE CLIPS, TW	YES	R01748	6
16	HDPE FLAT, 3/16" x 2" x 9' OAL	YES	R01726	2
15	HDPE FLAT, 1/4" x 2" x 9' OAL	NO	R01725	6
14	SIDE SEAL RETAINER CHANNEL, TW x 12' OAL	YES	R01721	2
13	BOTTOM BOOT CHANNEL, TW x 8' OAL	YES	R02014 drilled	1
12	EPS FOAM, 150# x 2 1/2 x 48 x 100	NO	R01754	2
11	POLYETHELENE FOAM, 1/4 x 48 (PCS)	NO	R01728	4
10	FABRIC, 18oz VCP x 50" WIDE, YELLOW (PCS)	NO	R01727	4
9	LOGISTIC STRAP RETAINER, TW	YES	R01738	# STRAPS X 3
8	STRAP SEW'D W/E-CLIP 88 LG NYLON (F-CLIP 88 LG)	YES	R00695 (R00696)	TBD
7	STRAP SEW'D W/E-CLIP/BCKL/STRAP RETAINER 17 LG NYLON (F-CLIP 17 NYLON)	YES	R01762 (R01852)	TBD
6	HANDLE, NYLON, TW	YES	R01741	6
5	WASHER, XENOY, FLAT TW	YES	R01739	10
4	1/4 FW Z	YES	10030	24
3	NUT, 1/4-20 TOP LOCK, ZP	YES	10021	26
2	BOLT, CARRIAGE, 1/4-20 x 3 1/4, ZP	YES	R01745	20
1	WASHER, XENOY, RECESSED TW	YES	R01740	16

Parts List

 Excellence made to order.	6800 E. 163rd Street Belton, MO 64012-5463 (816) 318-8000 (800) 827-3692 Fax (816) 318-8100 www.romcorp.com		T-WARRIOR		
	TW-1000 BI-FOLD ASSEMBLY DRAWING		Size C	Scale NTS	Date 1/30/2006
Copyright © 2006 R-O-M Corporation. All Rights Reserved. This drawing and the information contained herein are the confidential and proprietary intellectual property of R-O-M Corporation and should not be disclosed to any third party without the prior written consent of R-O-M Corporation. Dimensions are in inches unless otherwise noted.		Rev. F	Item No. TW1000 Assembly	Sheet 1	Drawn BAM Checked BAM Drawing No. TW1000 Assembly

# T-WARRIOR - TW1100 OFF-SET-BULKHEAD w/ MAN DOOR

REV	DESCRIPTION	DATE	BY
A	RELEASE	11/08/08	RDS



ITEM	DESCRIPTION	SELLABLE	PART N	QTY
39	TAPE, FABRIC (PER FT)	NO	R01973	20
38	HINGE FABRIC, BALLISTIC NYLON	YES	R01743	18
37	ADHESIVE, DRIBOND 48" OAW X FT	NO	R02344	72
36	ROLL TAPE, 3M, 2-SIDED, 2 1/8 X 60 YD (PER FT)	NO	R01900	50
35	ROLL TAPE, 3M, 2-SIDED, 1 X 60 YD (PER FT)	NO	R01905	50
34	SCREW, K-LATH DRYWALL #8 X 1 (4 PCS ON STD BOOT, 8 PCS ON TALL BOTTOM BOOT)	YES	R02362	4 (8)
33	SIDE SEAL RETAINER CHANNEL X 12 FT OAL	YES	R01721	3
32	CLIP, METAL WEBBING, M/S 2 CRIMP ON	NO	01037	TBD
31	SCREW, 1/4-20 X 5/8 PAN HEAD PHL, ZP	YES	R02017	6
30	WASHER, 1/4 LOCK, SS	YES	R01787	6
29	TEE NUT, 1/4-20 X 5/16 ZP	YES	R02410	6
28	SCREW, K-LATH DRYWALL #8 X 3/4 ZP	YES	R01744	200
27	RIVET, AD64ABS 3/16" X 3/8"-.125-.25 GRIP	YES	R00366	9
26	SEAL SLEEVE, 84" X 5" STD HT	YES	R01737	2
25	FOAM SEAL, 5 1/4" STD X 4 FT OAL (4 1/4") (R01732)	YES	R01730	5
24	SEAL SLEEVE, 48" X 5" STD HT	YES	R01736	4
23	FOAM SEAL, 5 1/4" X 12 3/4" STD (SCUFF OPTION REQUIRES 4 1/4" FOAM)	YES	R01835	5 (3)
22	SEAL SLEEVE, 12" X 5" STD HT (12" X 4") (4" SEAL OPTION ON SCUFF ONLY (2 PCS))	YES	R01734 (R01735)	5 (3)
21	HDPE FLAT, 1/4" X 1" X 9 FT OAL	YES	R01733	6
20	FABRIC	NO	R01727	4
19	POLYETHYLENE FOAM, 1/4" X 48"	NO	R01728	4
18	EPS FOAM, 150# X 2 1/2" X 48" X 100"	NO	R01754	2
17	HDPE FLAT, 1/4" X 2" X 9 FT OAL	YES	R01725	7
16	HDPE FLAT, 3/16" X 2" X 9 FT OAL	YES	R01726	3
15	BOTTOM BOOT CHANNEL X 8 FT OAL	YES	R02014	2
14	STRAP, SEWED W/ E-CLIP, BUCKLE, 88 LG (F-CLIP 88 LG)	YES	R01762 (R01852)	TBD
13	STRAP, SEWED W/ E CLIP, 88 LG (F-CLIP 88 LG)	YES	R00695 (R00696)	TBD
12	CHANNEL CLIP	YES	R01755	3
11	ANGLE CLIP	YES	R01748	11
10	HANDLE	YES	R01741	6
9	WASHER, 1/4 FLAT	YES	10030	22
8	NUT, 1/4-20 TOP LOCK	YES	10021	22
7	BOLT, CARRIAGE, 1/4-20 X 3 1/4	YES	R01745	22
6	RETAINER, LOG STRAP	YES	R01738	3 PER
5	WASHER, ZENOY FLAT	YES	R01739	10
4	WASHER, ZENOY RECESSED	YES	R01740	22
3	WASHER, ZENOY SPIKED	YES	R01853	6
2	STRAP MALE LOCK ASSY SEWD	YES	R02603	1
1	STRAP FEMALE LOCK ASSY SEWD	YES	R02604	1

**ROM CORPORATION**  
 6800 E. 16th Street  
 Belton, MD 21112-5463  
 (816) 318-8000  
 (800) 627-9892  
 Fax (816) 318-8100  
 www.romcorp.com

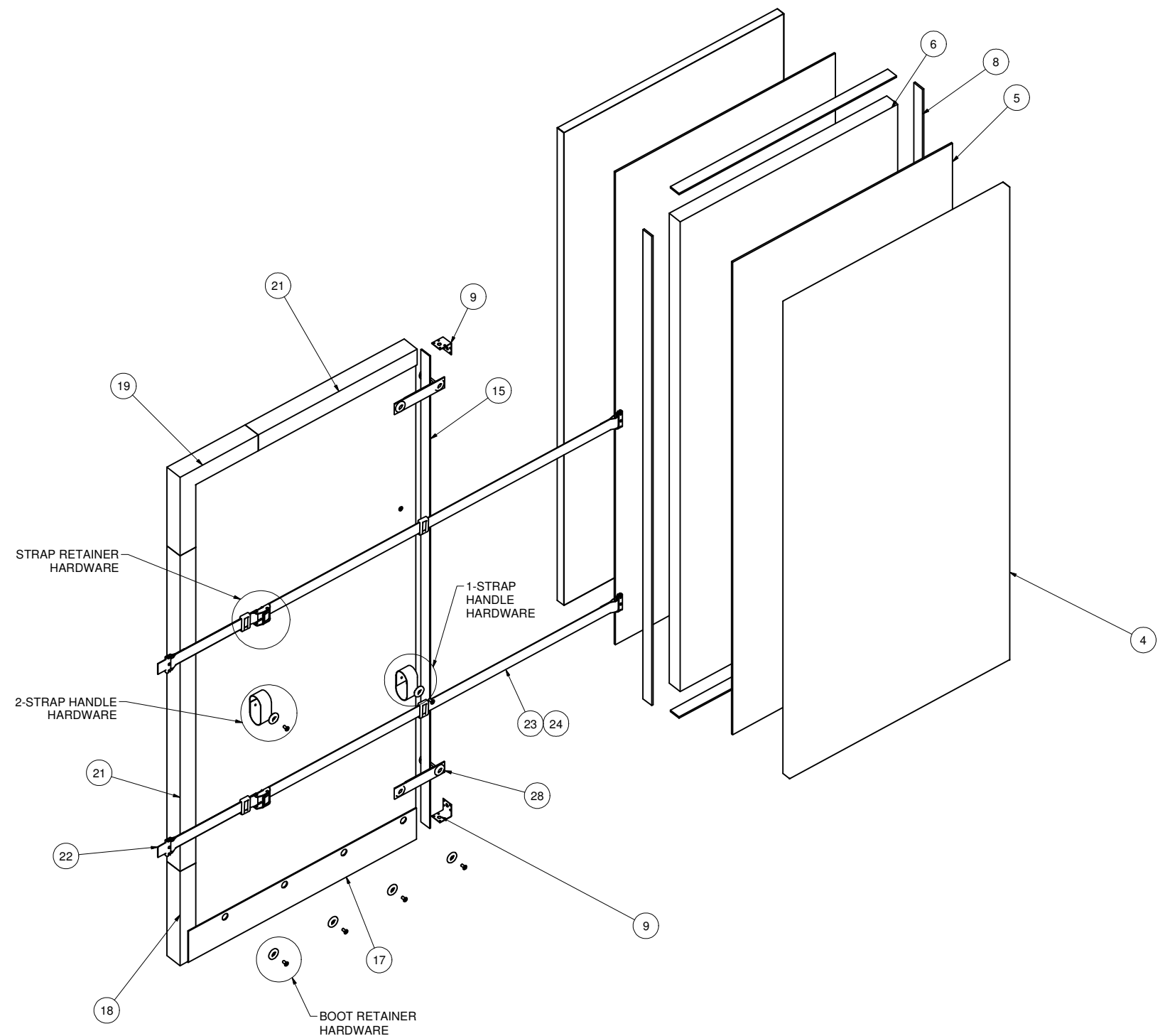
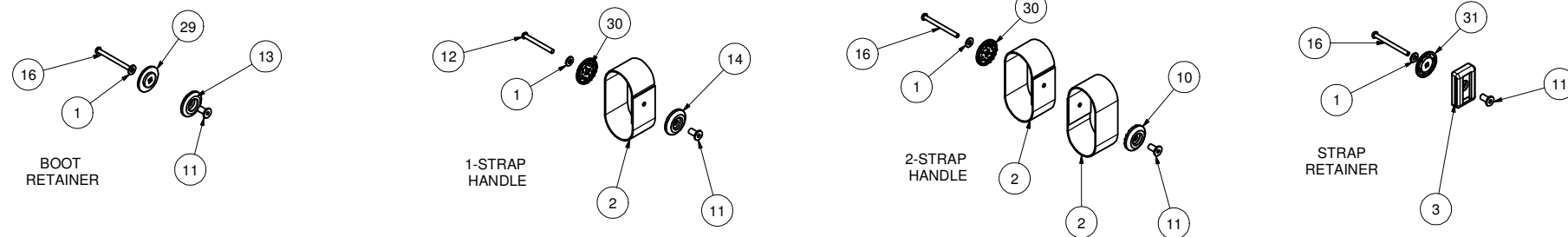
**T-WARRIOR**  
 TW OFFSET ASSEMBLY W/ MANDOR

Copyright © 2008 ROM Corporation. All Rights Reserved. This drawing and the information contained herein are the confidential and proprietary intellectual property of ROM Corporation and should not be disclosed to any third party without the prior written consent of ROM Corporation.  
 Dimensions in inches unless otherwise noted.

Rev: A  
 Date: 8/12/2008  
 Sheet: 1  
 Part No: TW MD ASSY  
 Drawn: RDS  
 Check out: RDS  
 Desc: TW MD ASSY

# TW1000-LT BI-FOLD ASSEMBLY DRAWING

LTR		ECN NO		REVISION HISTORY		DATE	BY
A		957		NEW ASSY DRAWING		12/15/10	ARLA
B		967		UPDATED TWO WAY REINFORCED HINGE ASSY PN		1/18/15	ARLA



NO.	DESCRIPTION	SELLABLE	ITEM	QTY.
33	8 x 3/4 K-LATH DRY-WALL SCREW ZP (HINGE)	YES	R01744	VAR
32	ROLL TAPE 3M 2-SIDED 2 1/8 X 180FT	NO	R01900	2.4
31	WASHER, XENOY, FLAT TW	YES	R01739	# STRAPS X 3
30	WASHER, XENOY, SPIKED, TW	YES	R01853	4
29	WASHER, XENOY, RECESSED TW	YES	R01740	8
28	SINGLE SWING REINFORCED HINGE	YES	R02891	2
27	TWO WAY REINFORCED HINGE ASSY [OPTION]	YES	R02932	1
26	LABEL T-WARRIOR LT MODEL	YES	R02942	1
25	HINGE FABRIC, BALLISTIC NYLON (PC) HINGE 2-WAY BLSTC NYLN SEWN TW (PC) [OPTION]	YES	R01743 R01896	1
24	CLIP METAL WEBBING M/S 2 CRIMP-ON	YES	01037	# OF STRAPS
23	STRAP SEW'D W/E-CLIP 88 LG NYLON STRAP SEW'D W/F-CLIP 88 LG NYLON	YES	R00695 R00696	# OF STRAPS
22	MODIFIED STRAP SEW'D W/E-CLIP/BCKL/STRAP RETAINER 17 LG NYLON MODIFIED STRAP SEW'D W/F-CLIP/BCKL/STRAP RETAINER 17 LG NYLON	YES	R03101 R03102	# OF STRAPS
21	REPLACEABLE SEAL T-WARRIOR LT (2-TOP, 2-SIDES)	YES	R02886	4 TOTAL
20	SCREW K-LATH DRY-WALL 8x1 ZP (TO INSTALL SEALS)	YES	R02362	44
19	SEAL CORNER ASSY T-WARRIOR LT	YES	R02884	2
18	SEAL BOTTOM ASSY T-WARRIOR LT	YES	R02885	2
17	BOTTOM BOOT CHANNEL 6" H (PCS) BOTTOM BOOT CHANNEL 12" H (PCS) [OPTION]	YES	R01722 R02014	1
16	1/4-20 X 3" BTN HD SCKT CS ZP	YES	R02796	12
15	HDPE FLAT, 3/16" X 2" X 9"	YES	R01726	2
14	MODIFIED WASHER XENOY FLAT TW	YES	R02805	2
13	MODIFIED WASHER XENOY RECESSED TW	YES	R02806	8
12	1/4-20 X 2 3/4" BTN HD SCKT CS ZP (Handles) 1/4-20 X 2 3/4" BTN HD SCKT CS ZP (Straps)	YES	R02818	2 # straps x 3
11	NUT JOINT CONNECTOR ZP LOCTITE	YES	R00084	24
10	MODIFIED WASHER XENOY SPIKED TW	YES	R03091	6
9	ANGLE CLIPS, TW	YES	R01748	4
8	HDPE FLAT, 1/4" x 2" (PCS - PERIMETER) HDPE FLAT, 1/4" x 2" (PCS - STANDARD HINGE) HDPE FLAT, 1/4" x 2" (PCS - DOUBLE SWING HINGE) [OPTION]	NO YES YES	R01725	4 2 3
7	ADHESIVE DRIBOND 48" OAW X 500 FT OAL(PCS)	NO	R02344	8
6	EPS FOAM, 150# x 2 1/2 x 48 x 100 (PCS)	NO	R01754	4
5	POLYETHELENE FOAM, 1/4 x 48 (PCS)	NO	R01728	4
4	FABRIC, 18oz VCP x 50" WIDE, YELLOW (PCS)	NO	R01727	4
3	MODIFIED LOGISTIC STRAP RETAINER TW	YES	R02804	# STRAPS X 3
2	HANDLE, NYLON, TW	YES	R01741	6
1	WASHER 1/4 SAE 1/16X9/32IDX5/8OD ZP	YES	10030	24

**ROM CORPORATION**  
Excellence made to order.

6800 E. 163rd Street  
Belton, MO 64012-5463  
(816) 318-8000  
(800) 927-3692  
Fax (816) 318-8100  
www.romcorp.com

**T-WARRIOR**  
TW LT 1000 BI-FOLD ASSEMBLY DRAWING

Copyright © 2009 R-O-M Corporation. All Rights Reserved. This drawing and the information contained herein are the confidential and proprietary intellectual property of R-O-M Corporation and should not be disclosed to any third party without the prior written consent of R-O-M Corporation. Dimensions are in inches unless otherwise noted.

Size	D	Scale	NTS	Date	8/12/2009	Drawn	ARLA	Checked	
Rev.	B	Rev. No.	TW1000-LT	Sheet	1 of 1	Drawing No.	TW1000-LT		

## T-WARRIOR™ BULKHEAD - KIT PARTS

PART #	PART DESCRIPTION	MAT'L PART #	MATERIAL PART DESCRIPTION	QTY
30007	POWER CORD KIT	10200	POWER CORD ANCHOR 3/8 X 90 DEGREES	1
		10213	PLUG DC POWER PLUG	1
		10226	WIRE BUTT CONNECTOR 16GA INSUL CRMP	3
		10239	SPRING SNAP 1/4-334 RD EYE SWVEL ZP	1
		10241	CABLE AIRCRAFT 3/32 X 7 X 7	.75 ft
		10243	CLAMP 3/8 IN OETIKER STEEL	2
		13050	CORD POWER 4 FT - 20 FT 16GA 3 CON	1
30005	THERMOSTAT ASSEMBLY KIT (FAHRENHEIT)	10215	RIVET POP 1/8 X 1/4 GRIP RANGE AL	2
		13057	THERMOSTAT 12 V REMOTE MNT TEMP CTL	1
		23075	THERMOSTAT DRUM ASSEMBLY FAHRENHEIT	1
		23076	THERMOSTAT BRACKET ASSEMBLY	1
R01836	T-WARRIOR - STRAP KIT	10117	10-24 TOP LOCK W/NYL INS NUT ZP	8
		10246	BACK PLATE ALUM 1/8 X 1-1/2 X 4-5/8	4
		20046	MOUNTING PAD BLK KIDEX 4-5/8 X 1-1/2	8
		20057	KIT E-STRAP SNGL W/O H.W. FULL WDTN	1
		20245	FOOTMAN LOOP	4
		R00088	10-24 X 3-3/4 BRKOFF HEX HD CAP SCR Z	8
R02192	T-WARRIOR - ONE STRAP HANDLE KIT	10021	1/4-20 NYL INS STOP NUT ZP	1
		10030	WASHER 1/4 SAE 1/16 X 9/32 ID X 5/8 OD ZP	1
		R01739	WASHER, XENOY, FLAT TW	1
		R01741	HANDLE, NYLON, TW	1
		R01745	1/4-20 x 4 GROOVED CARRIAGE BOLT ZP	1
		R01853	WASHER XENOY SPIKED TW	1
R02193	T-WARRIOR - TWO STRAP HANDLE	10021	1/4-20 NYL INS STOP NUT ZP	1
		10030	WASHER 1/4 SAE 1/16 X 9/32 ID X 5/8 OD ZP	1
		R01741	HANDLE, NYLON, TW	2
		R01745	1/4-20 x 4 GROOVED CARRIAGE BOLT ZP	1
		R01853	WASHER XENOY SPIKED TW	2