

POCKET PLATE

INSTALLATION INSTRUCTIONS

FM-7.5-164
Rev A
7/30/04

The pocket plate option is required for ZoneMaker Systems configurations with center panels running from the nose of a trailer up to or past a false ceiling for a roll-up door. The pocket plate assembly closes off any potential gaps in the area of the floor to ceiling height change.

You will need the following parts and tools:

- Drill (not included)
- #11 (0.1910) Drill bit (not included)
- Rivet gun (not included)

INSTALLING POCKET PLATE:

Begin by making sure the false ceiling track is positioned as shown below in Fig. 1.

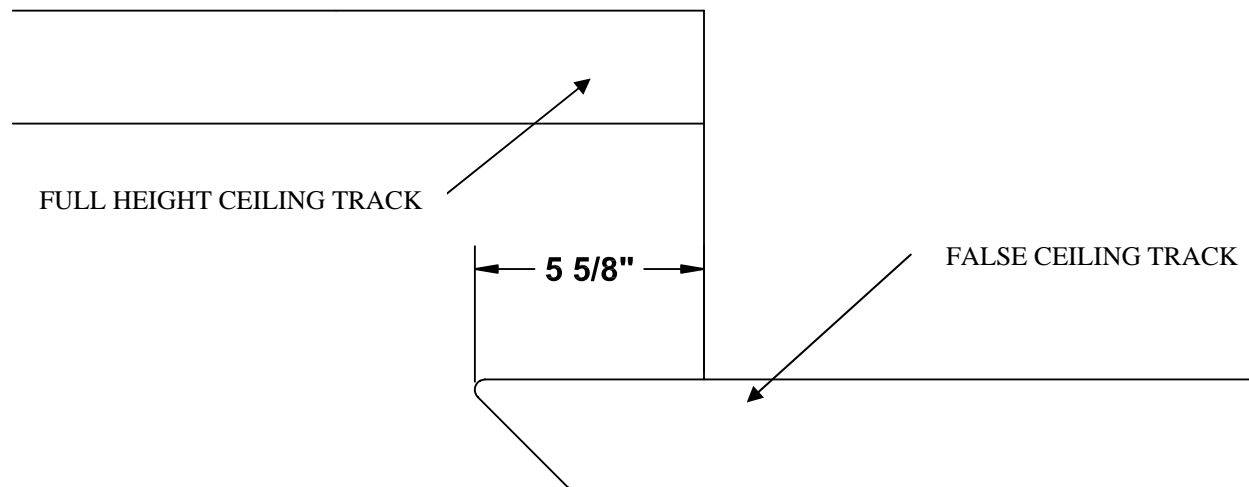


Fig. 1

POCKET PLATE

INSTALLATION INSTRUCTIONS CONT.

Next mark the mounting hole locations on the track using the pocket plate as a template as shown in Fig. 2.

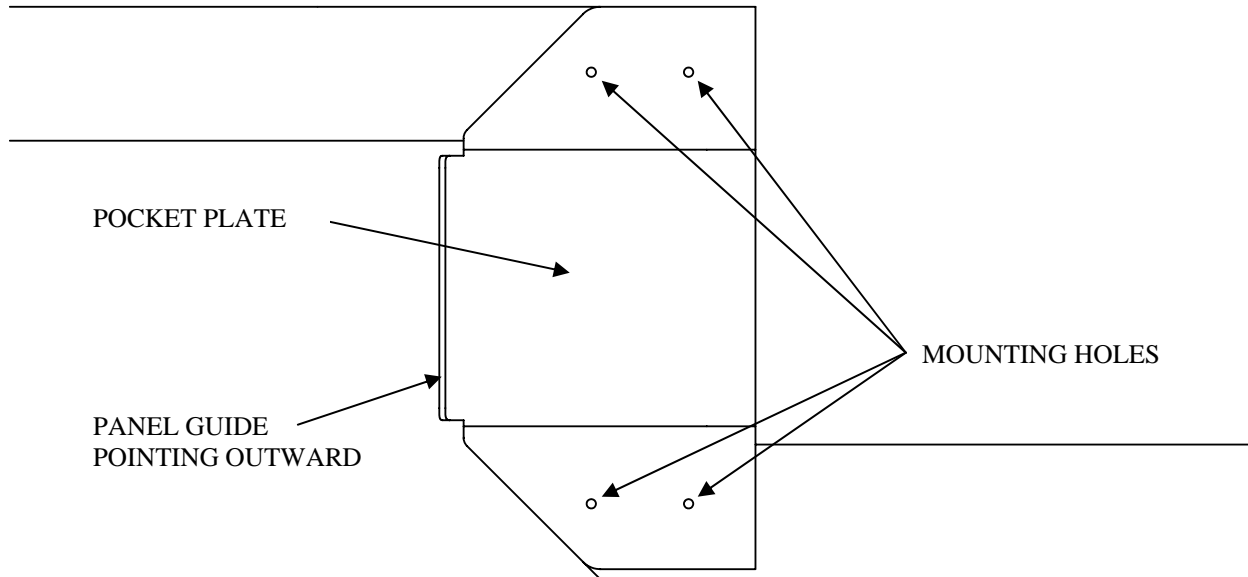


Fig. 2

Drill a (0.191) hole at the marked locations. Attach the pocket plate with the supplied 3/16" rivets. Repeat these steps for the pocket plate for the other side of track.

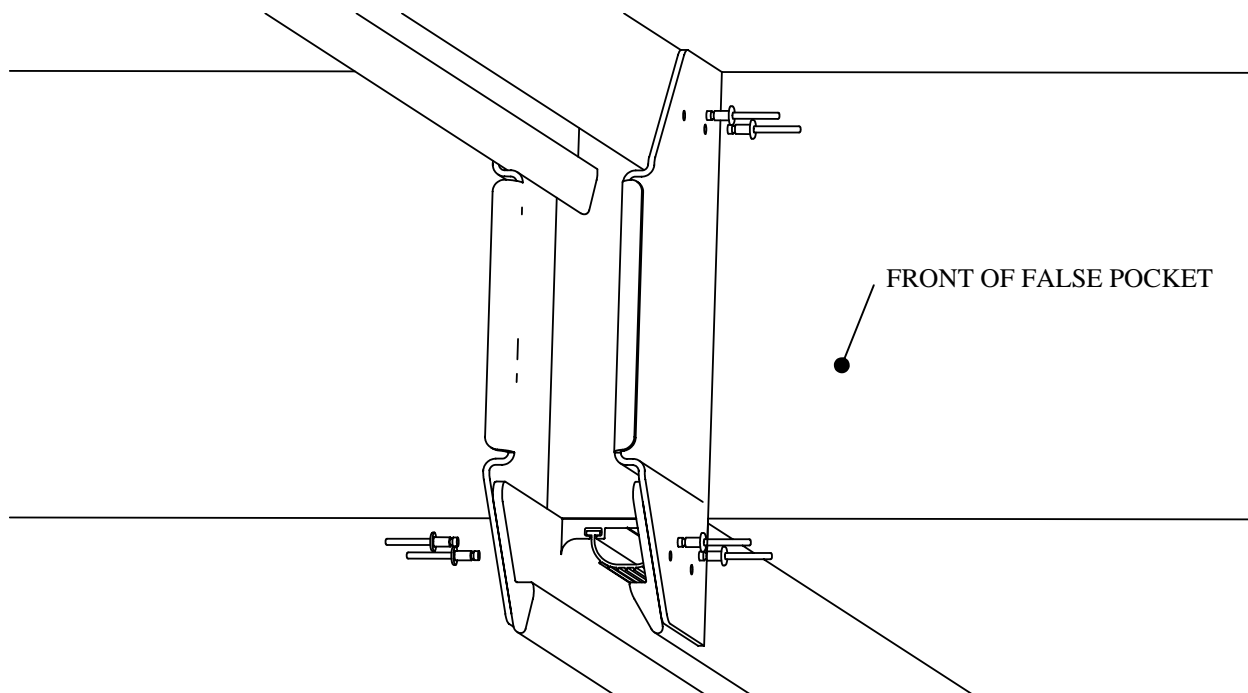


Fig. 3